

# Square LED Wall Sconce

**601485**  
INSTALLATION SHEET

## START FROM HERE

- Make sure power is completely off at the fuse box.
- Have your fixture installed by a qualified licensed electrician
- Prepare everything in a clear area.
- Wear gloves at all times during this installation.
- Read instructions carefully before you start assembly.
- Keep this instruction sheet for future reference.

**Technical Support:** 1-855-855-8926

## Please Note:

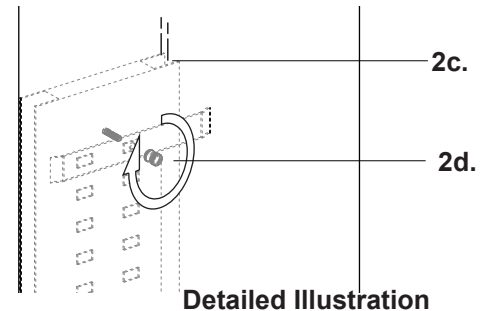
- All Kuzco LED fixtures come with pre-wired LED module(s).
- Unless instructed to do so, please do not touch any part of the LED module(s) as any unnecessary contact with the module could cause permanent damage.
- For dimming, an ELV (Electronic Low Voltage) type of dimmer is required.

**1.** Remove the fixture from its original packaging and remove the fixture mounting plate (1c) from within the canopy (2f) by unthreading nuts (2g). Attach the fixture mounting plate (1c) to the electrical junction box (1a) on the wall using the two screws (1e) provided in the hardware package.

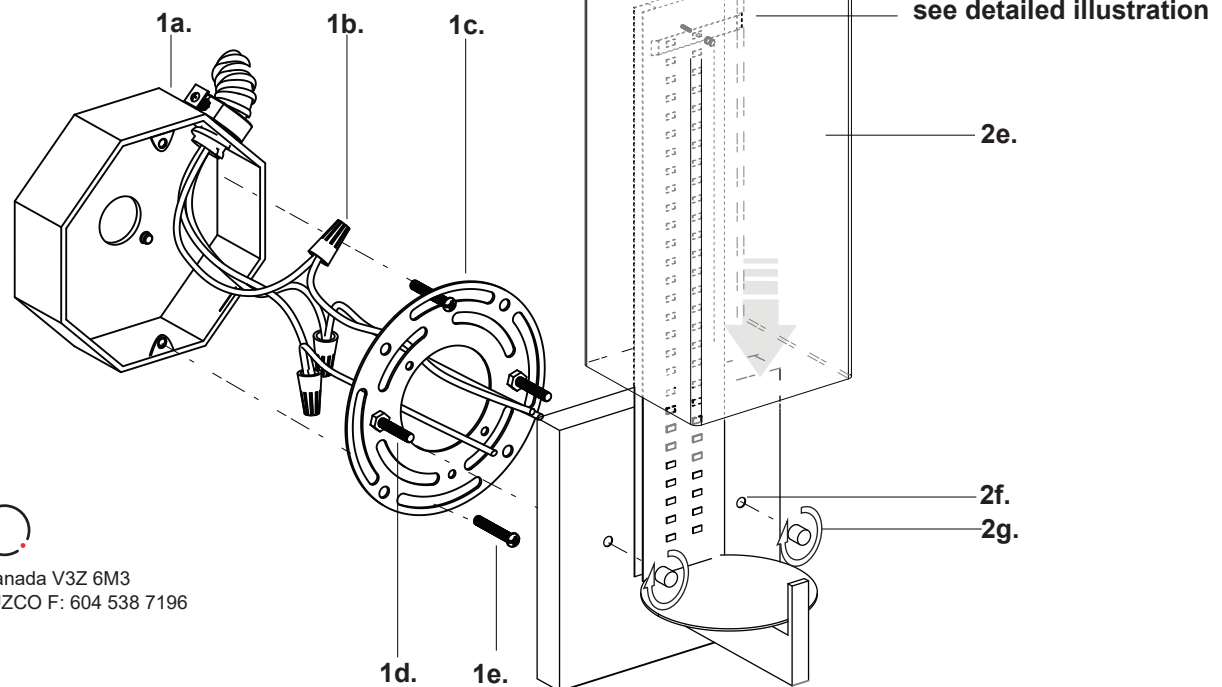
**2.** Attach the fixture to the mounting plate. First connect wiring (1b) with the provided marrets (white to white "N", black to black "L", ground to ground "G"). Push the mounting plate screws (1d) through the holes in the back of the canopy (2f) so they are poking through on either side. Next, screw on the decorative nuts (2g) until the fixture is secured to the wall.

**3.** Install the fixture glass to the fixture. The fixture glass is installed by gently sliding the glass (2e) from the top into the channel (2c) of the fixture until it is resting securely on the bottom metal bar (see Detailed Illustration). Next, tighten the knurled nut (2d) until the clip is firmly pressing on the glass (2e). Once this is complete, set the top plate (2b) on top and fasten with two screws (2a).

**4.** You have now completed the installation of your fixture, please enjoy.



Detailed Illustration



**KUZCO**

19054 28th Avenue Surrey, BC Canada V3Z 6M3  
T: 604 538 7162 TF: 1-855 85 KUZCO F: 604 538 7196  
W: kuzcolighting.com  
20181127