

LED Exterior Ceiling

EC26608
INSTALLATION SHEET

START FROM HERE

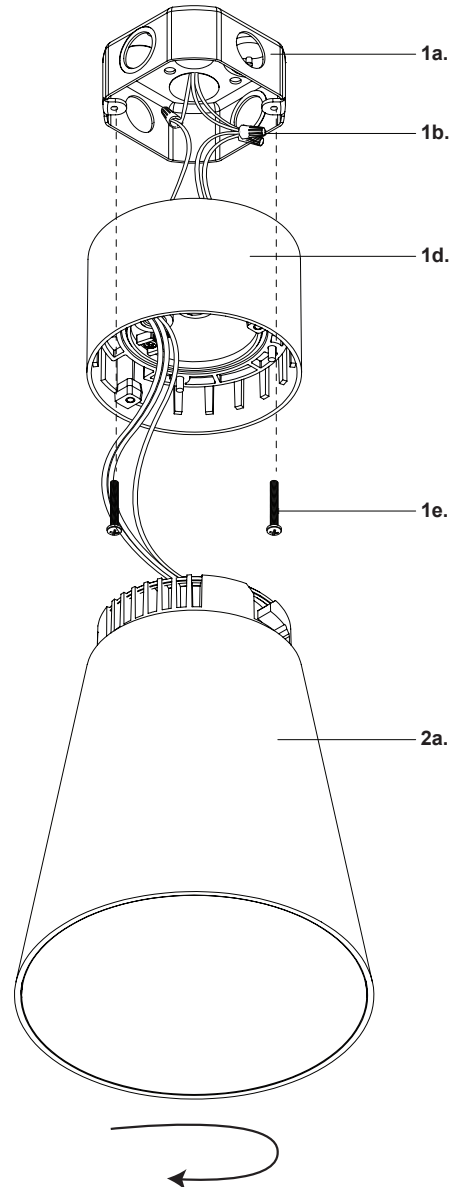
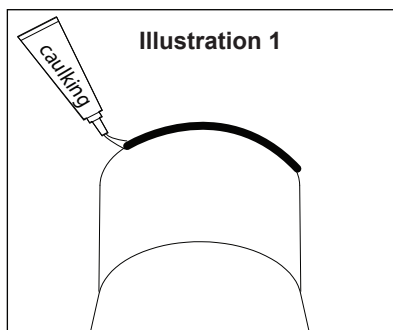
- Make sure **POWER** is **COMPLETELY OFF** at the fuse box
- Have your fixture installed by a qualified licensed electrician
- Prepare everything in a clear area
- Wear gloves at all time during this installation
- Read instructions carefully before you start assembly
- Keep this installation sheet for future reference

Technical Support: 1-855-855-8926

Please Note:

- This Kuzco LED fixtures come with pre-wired LED module(s)
- Unless instructed, Do Not touch any part of the LED module(s) as any unnecessary contact with the module could cause permanent damage
- For dimming, an ELV (Electronic Low Voltage) type of dimmer is required

- 1.** Remove fixture from its original package
- 2.** Separate upper body (1d) by twisting it off fixture body (2a)
- 3.** Secure upper body (1d) to electrical junction box (1a) using junction box screws provided (1e) in hardware package
- 4.** Make proper electrical connections (black to hot "L", white to neutral "N", ground to "GND") with wire nuts (1b) provided in hardware package
- 5.** Secure fixture body (2a) into upper body (1d)
- 6.** To prevent moisture from entering the electrical junction box (1a) and causing a short, seal around the top perimeter between the fixture and the surface with weather resistant caulking (Illustration 1).



PRODUCT ID	PART
1e.	XHPP832-8
LED	XLED-EDC20-830-120-ELV

KUZCO

19054 28th Avenue Surrey, BC Canada V3Z 6M3
T: 604 538 7162 TF: 1-855 85 KUZCO F: 604 538 7196
W: kuzcolighting.com
20200108