

# LED Step Light

# ER7108

INSTALLATION SHEET

## START FROM HERE

- Make sure power is completely off at the fuse box.
- Have your fixture installed by a qualified licensed electrician
- Prepare everything in a clear area.
- Wear gloves at all times during this installation.
- Read instructions carefully before you start assembly.
- Keep this instruction sheet for future reference.

Technical Support: 1-855-855-8926

## Please Note:

- All Kuzco LED fixtures come with pre-wired LED module(s).
- Unless instructed to do so, please do not touch any part of the LED module(s) as any unnecessary contact with the module could cause permanent damage.
- For dimming, an ELV (Electronic Low Voltage) type of dimmer is required.

## INSTALLING FROM STUD WALLS

1. With the switch box secured to the wall connect the fixture (3c). First, attach all wiring with the provided marettes (3b) (white to white "N", black to black "L", ground to ground "G"). You can now install the fixture (3c) onto the switch box (3a). Thread the two screws (3d) (right and left) down onto the switch box (1a) using the allen key provided in the hardware package.

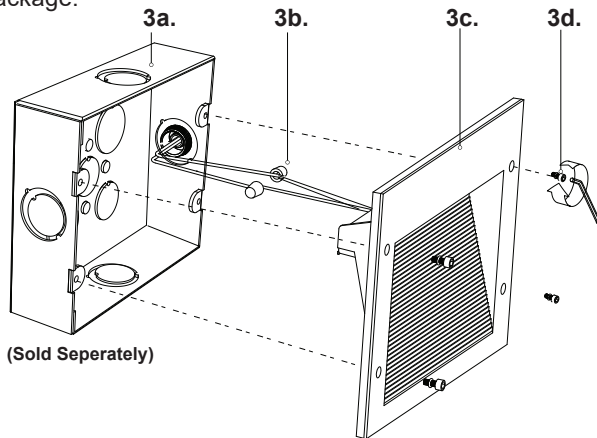


Illustration 1

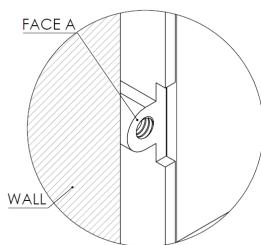
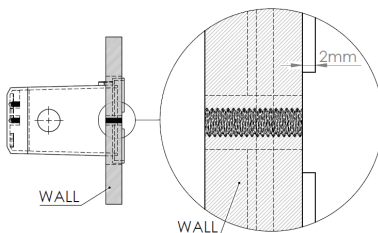


Illustration 2



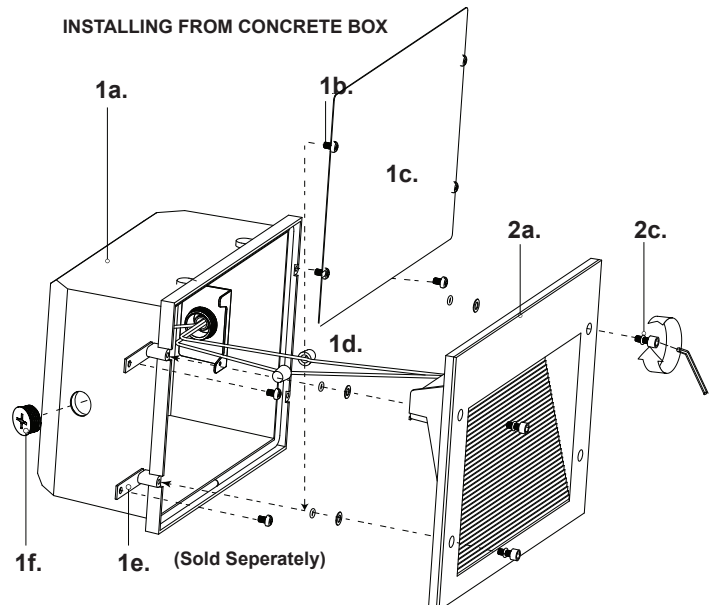
## INSTALLING THE CONCRETE BOX

1. The concrete box (1a) is suitable for installation in outdoor wall mount applications including concrete pour. **IMPORTANT NOTE:** For proper waterproof seal, ensure that Face A of the concrete box (1a) is flush against the finished wall (Illustration 1) such that the lip of the concrete box (1a) is protruding at least 2mm from the finished wall (Illustration 2)
2. Install the concrete box (1a) in opening using brackets (1e) by attaching them to the mounting surface using the appropriate screws (not provided).
3. Provide electrical wiring to the concrete box (1a) (according to local electrical code) by removing the conduit plug (1f) and using conduit with appropriate fittings (not provided). Ensure that all unused conduit openings are adequately closed/sealed with the conduit plug (1f). Pull supply wires into the concrete box (1a).
4. If ready to install fixture, proceed to step 5, otherwise replace cover plate (1c) to protect supply wires inside concrete box (1a)

## INSTALLING THE FIXTURE

5. Remove cover plate (1c) from the concrete box (1a) by removing screws (1b). Attach all wiring with the wire nuts (1d) provided in the hardware package (white to white "N", black to black "L" and ground to ground "G").
6. Verify that the housing gasket is free of debris to ensure proper seal. Align the fixture body (2a) to the concrete box (1a) and use the screws (2c) and Allen Key provided in the hardware
7. You have now completed the installation of your fixture.

## INSTALLING FROM CONCRETE BOX



# KUZCO

19054 28th Avenue Surrey, BC Canada V3Z 6M3  
T: 604 538 7162 TF: 1-855 85 KUZCO F: 604 538 7196  
W: kuzcolighting.com  
20200303