

# LED Vanity Lamp

**EW6818**  
INSTALLATION SHEET

## START FROM HERE

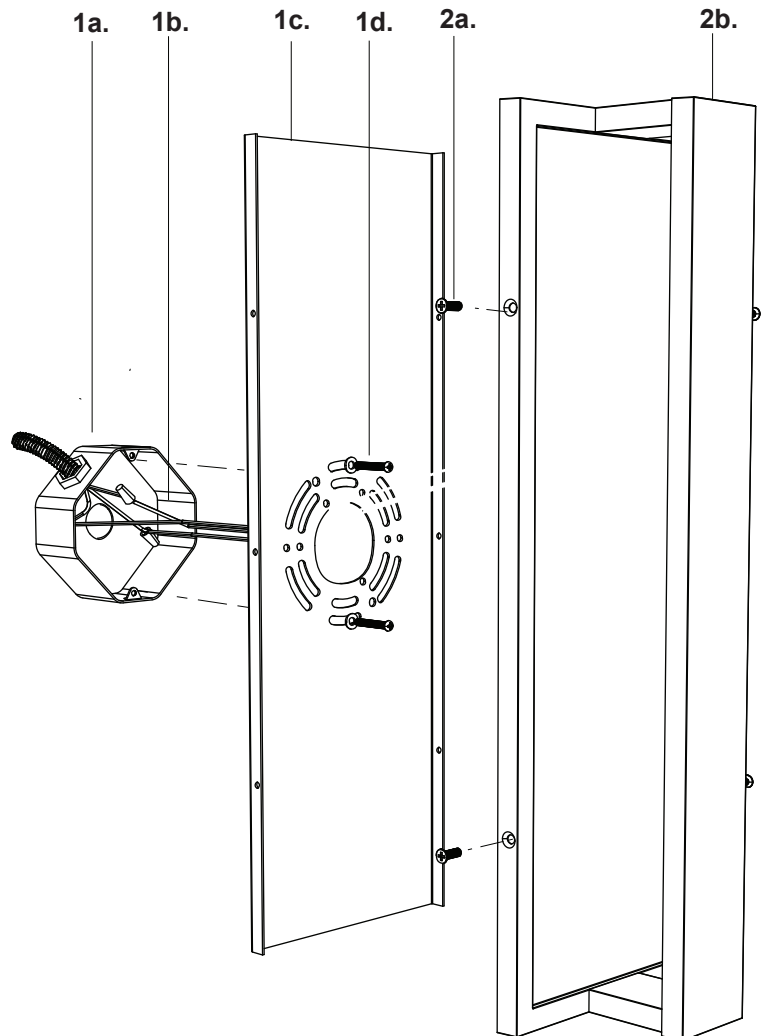
- Make sure **POWER** is **COMPLETELY OFF** at the fuse box
- Have your fixture installed by a qualified licensed electrician
- Prepare everything in a clear area
- Wear gloves at all time during this installation
- Read instructions carefully before you start assembly
- Keep this installation sheet for future reference

**Technical Support:** 1-855-855-8926

### Please Note:

- All Kuzco LED fixtures come with pre-wired LED module(s).
- Unless instructed to do so, please do not touch any part of the LED module(s) as any unnecessary contact with the module could cause permanent damage.
- For dimming, an ELV (Electronic Low Voltage) type of dimmer is required.

- 1.** Remove the fixture from its original packaging. Remove the mounting plate (**1c**) from within the canopy (**2b**) by removing the four screws (**2a**). Pull out the mounting plate (**1c**) from within the canopy (**2b**) and attach it to the electrical junction box (**1a**), using the two screws (**1d**) provided in the hardware package.
- 2.** Attach all wiring with the provided marrets (**1b**) (white to white "N", black to black "L", ground to ground "G"). Align the canopy (**2b**) to the back plate and screw in the four screws (**2a**) provided to secure the canopy (**2b**) to the back plate (**1c**).
- 3.** You have now completed the installation of your fixture, do enjoy.



**KUZCO**

19054 28th Avenue Surrey, BC Canada V3Z 6M3  
T: 604 538 7162 TF: 1-855 85 KUZCO F: 604 538 7196  
W: kuzcolighting.com  
20181127