

LED Floor Lamp

FL90155
INSTALLATION SHEET

START FROM HERE

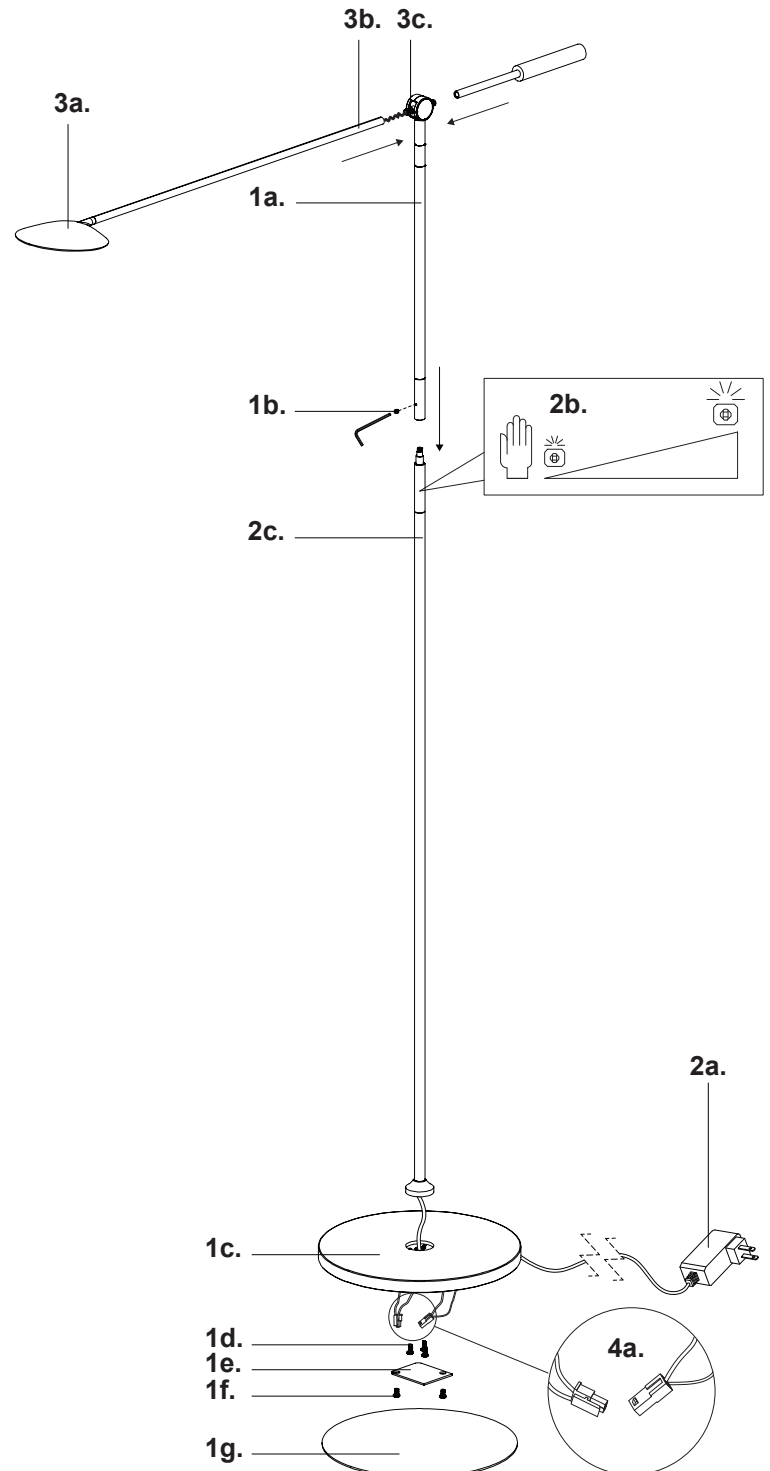
- Prepare everything in a clear area
- Wear gloves at all times during this installation
- Read instructions carefully before you start assembly
- Keep this installation sheet for future reference

Technical Support: 1-855-855-8926

Please Note:

- This Kuzco LED fixture comes with pre-wired LED module(s)
- Unless instructed, Do Not touch any part of the LED module(s) as any unnecessary contact with the module could cause permanent damage
- 120V input
- Touch Dimmer

1. Remove fixture from its original package
2. Connect quick connectors (4a) together
3. Attach top rod (1a) with bottom rod (2c) and secure with set screw (1b) and allen key
4. Insert into base (1c) and secure it with screws (1d)
5. Close base (1c) with cover (1e) using cover screws (1f)
6. Secure base cover (1g) to base (1c)
7. Secure fixture arms (3b) to coaxial connector (3c) by threading clockwise
8. Insert plug (2a) into outlet
9. Use hand to activate dimmer (2b). Touch and hold to dim, touch to turn on/off
10. Tilt fixture arm (3b) and head (3a) to desired position



KUZCO

19054 28th Avenue Surrey, BC Canada V3Z 6M3
T: 604 538 7162 TF: 1-855 85 KUZCO F: 604 538 7196
W: kuzcolighting.com
20210728