

# LED Flush Mount

**FM10705**  
INSTALLATION SHEET

## START FROM HERE

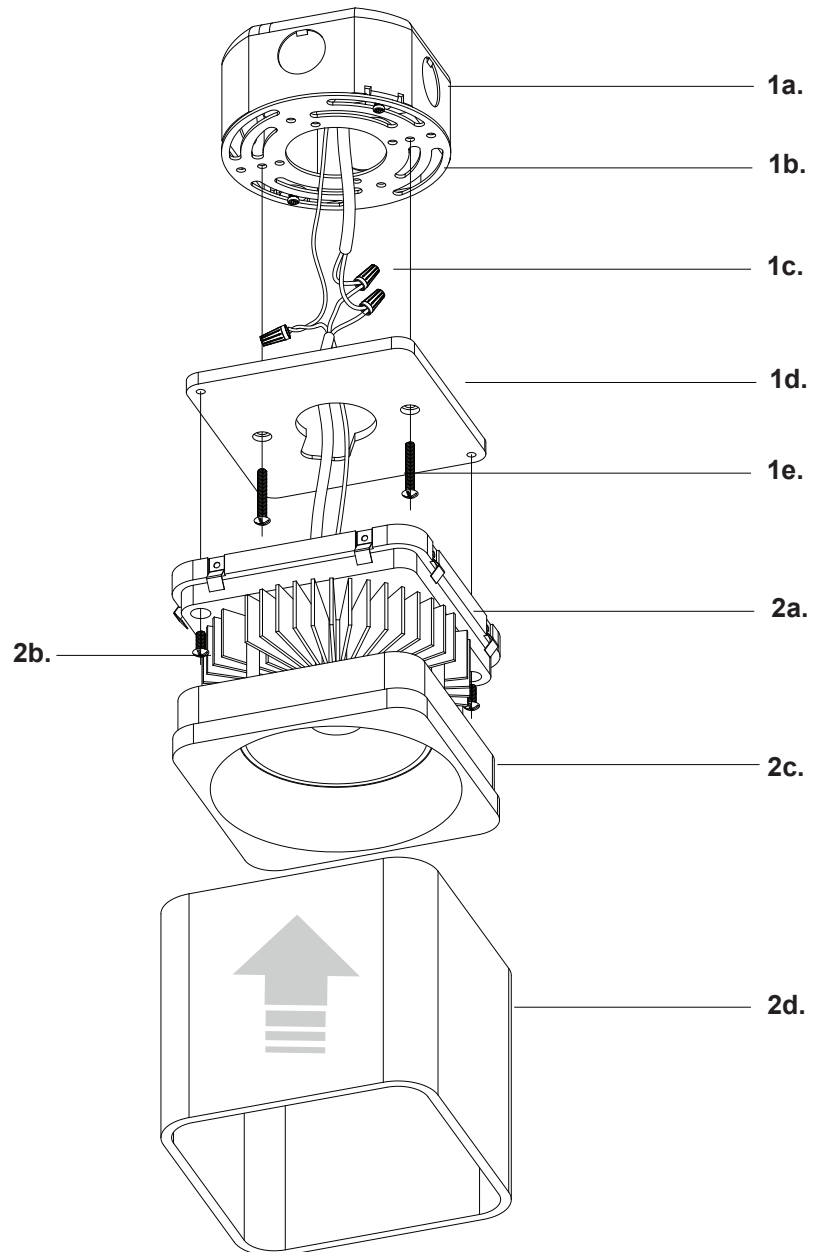
- Make sure **POWER** is **COMPLETELY OFF** at the fuse box
- Have your fixture installed by a qualified licensed electrician
- Prepare everything in a clear area
- Wear gloves at all time during this installation
- Read instructions carefully before you start assembly
- Keep this installation sheet for future reference

**Technical Support:** 1-855-855-8926

### Please Note:

- All Kuzco LED fixtures come with pre-wired LED module(s).
- Unless instructed to do so, please do not touch any part of the LED module(s) as any unnecessary contact with the module could cause permanent damage.
- For dimming, an ELV (Electronic Low Voltage) type of dimmer is required.

- 1.** Remove the fixture from its original packaging. Next, remove the canopy mounting plate (**1b**) from within the canopy (**1d**) by un-threading the two screws (**2b**).
- 2.** You are now ready to mount the canopy to the mounting plate. First connect all wires (**1c**) correctly black to black "L", white to white "N" and the ground wire with provided marrets from the hardware package. Align the mounting plate (**1b**) with the two holes on the surface of the canopy (**2d**). Next, screw in the two screws (**1e**) on to the mounting plate (**1b**), this will secure the canopy to the mounting plate.
- 3.** Connect the LED housing (**2c**) to the canopy (**1d**) using the two screws (**2b**). Now, lift the LED cowl (**2d**) up to the LED housing (**2b**) and thread clockwise.
- 4.** You have now completed the installation of your fixture, enjoy.



KUZCO

19054 28th Avenue Surrey, BC Canada V3Z 6M3  
T: 604 538 7162 TF: 1-855 85 KUZCO F: 604 538 7196  
W: kuzcolighting.com  
20181127