

Round LED Flush Mount

FM1512
INSTALLATION SHEET

START FROM HERE

- Make sure **POWER** is **COMPLETELY OFF** at the fuse box
- Have your fixture installed by a qualified licensed electrician
- Prepare everything in a clear area
- Wear gloves at all time during this installation
- Read instructions carefully before you start assembly
- Keep this installation sheet for future reference

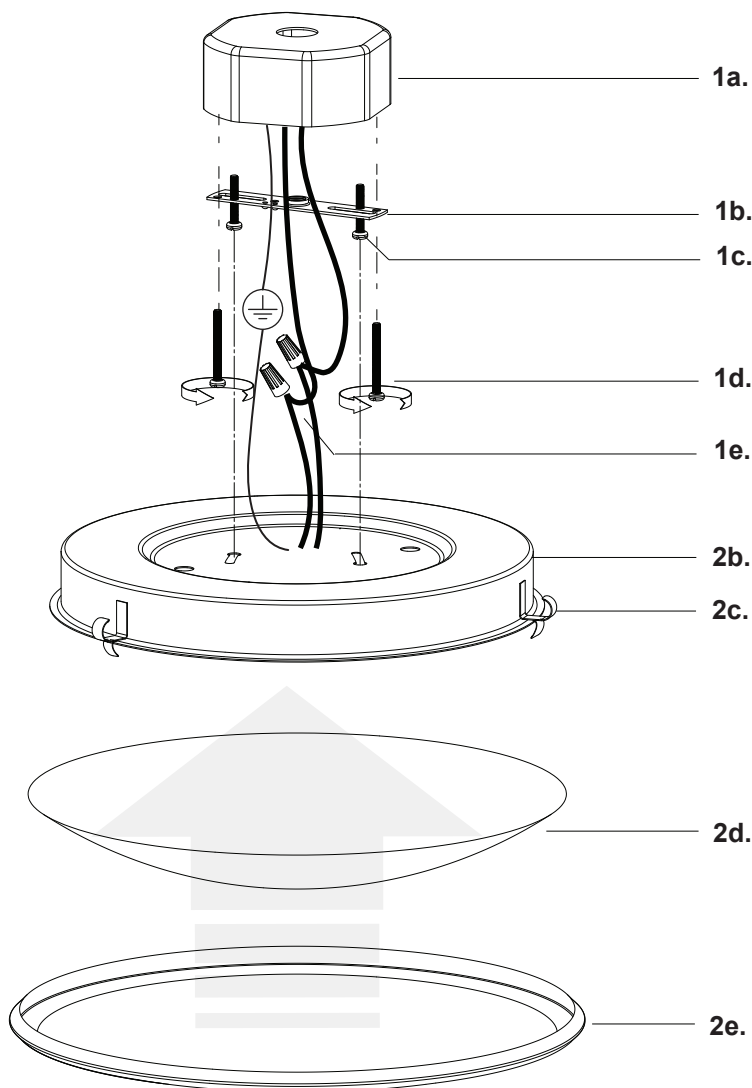
Technical Support: 1-855-855-8926

Please Note:

- All Kuzco LED fixtures come with pre-wired LED module(s).
- Unless instructed to do so, please do not touch any part of the LED module(s) as any unnecessary contact with the module could cause permanent damage.
- For dimming, an ELV (Electronic Low Voltage) type of dimmer is required.

CAUTION: HEAVY FIXTURE, THE JUNCTION BOX NEEDS TO BE REINFORCED BEFORE INSTALLATION.

- 1.** Remove the fixture from its original packaging. Next, remove the canopy mounting plate (**1b**) from within the canopy (**2b**) from the packaging.
- 2.** Connect all wires (**1e**) correctly black to black "L", white to white "N" and the ground wire with provided marrets from the hardware package. Secure the mounting plate (**1b**) to the junction box with screws (**1d**). Align the mounting plate screws (**1c**) with the holes on the surface of the canopy (**2b**) lift and turn clockwise. This will secure the canopy to the mounting plate.
- 3.** Lastly, install the metal ring and glass to the fixture. Gently place the glass (**2d**) in the center of the canopy (**2b**) and lift up to the canopy clip (**2c**). Lightly pull back on the clips to allow convergence. Now lift your metal ring (**2e**) up to the canopy and apply minimal pressure to the clip until you hear a click this will provide a solid connection to the canopy. (Please be careful to not apply too much pressure as excessive pressure will cause the fixture glass to crack or break.)
- 4.** You have now completed the installation of your fixture, enjoy.



KUZCO

19054 28th Avenue Surrey, BC Canada V3Z 6M3
T: 604 538 7162 TF: 1-855 85 KUZCO F: 604 538 7196
W: kuzcolighting.com
20181127