

LED Flush Mount

FM3506
INSTALLATION SHEET

START FROM HERE

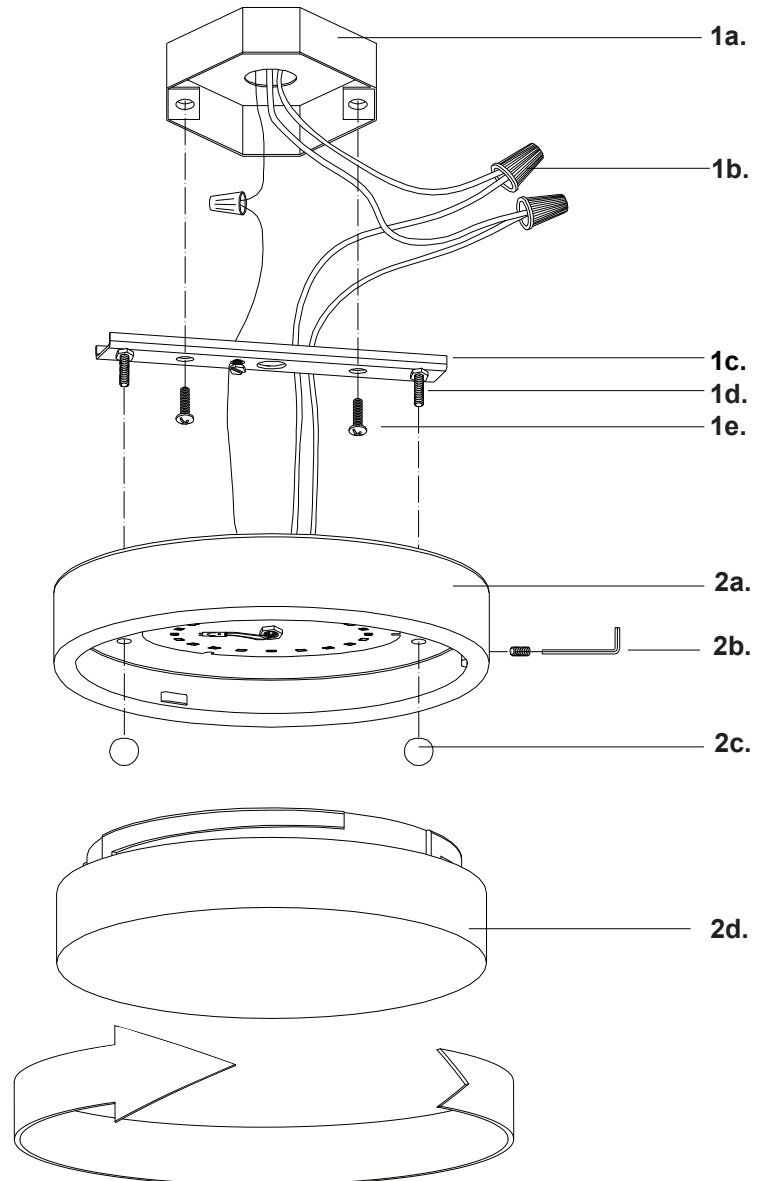
- Make sure **POWER** is **COMPLETELY OFF** at the fuse box
- Have your fixture installed by a qualified licensed electrician
- Prepare everything in a clear area
- Wear gloves at all time during this installation
- Read instructions carefully before you start assembly
- Keep this installation sheet for future reference

Technical Support: 1-855-855-8926

Please Note:

- All Kuzco LED fixtures come with pre-wired LED module(s).
- Unless instructed to do so, please do not touch any part of the LED module(s) as any unnecessary contact with the module could cause permanent damage.
- For dimming, an ELV (Electronic Low Voltage) type of dimmer is required.

- 1.** Remove the fixture from its original packaging. Next, remove the mounting bar (**1c**) from within the canopy (**2a**) by loosening the set screw (**2b**). Then remove the glass (**2d**) and nuts (**2c**). Attach the mounting bar to the electrical junction box on the ceiling using the two screws (**1e**) provided in the hardware package.
- 2.** You are now ready to mount the canopy (**2a**) to the mounting bar (**1c**). First connect all wires correctly black to black "L", white to white "N" and the ground wire with provided marettes (**2c**) from the hardware package. Align the holes in the canopy (**2a**) to the threaded studs (**1d**) and push the canopy (**2a**) up towards the mounting bar (**1c**). Next, screw in the two nuts (**2c**) on to the threaded studs (**1d**), this will secure the canopy (**2a**) to the mounting bar (**1c**).
- 3.** Attach the glass cover (**2d**) onto the canopy (**2a**) by threading the glass clockwise. Secure the glass cover (**2d**) using the set screw (**2b**) with the allen key provided.
- 4.** You have now completed the installation of your fixture, enjoy.



KUZCO

19054 28th Avenue Surrey, BC Canada V3Z 6M3
T: 604 538 7162 TF: 1-855 85 KUZCO F: 604 538 7196
W: kuzcolighting.com
20181127