

Flush Mount Led

FM5017

INSTALLATION SHEET

Please Note:

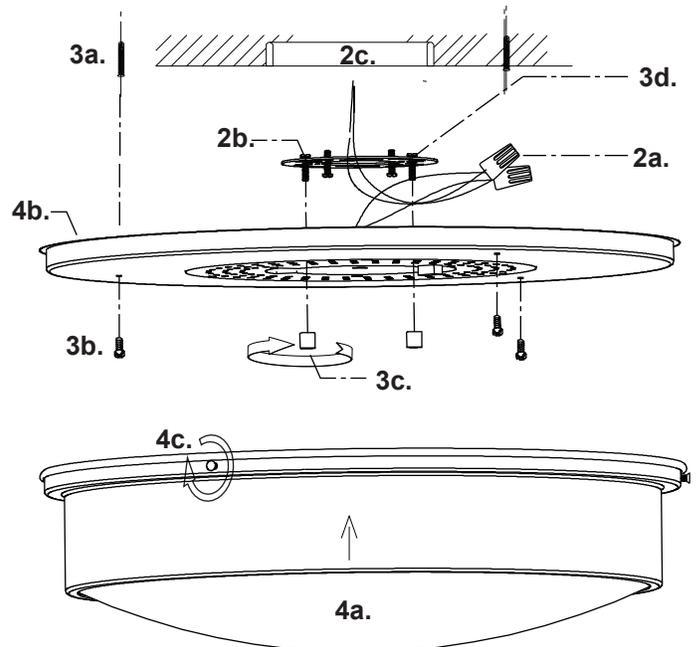
- All Kuzco LED fixtures come with pre-wired LED module(s).
- Unless instructed to do so, please do not touch any part of the LED module(s) as any unnecessary contact with the module could cause permanent damage.
- For dimming, an ELV (Electronic Low Voltage) dimmer is required.

START FROM HERE

- Make sure power is completely off at the fuse box.
- Have your fixture installed by a qualified licensed electrician
- Prepare everything in clear area.
- Wear gloves at all times during this installation.
- Read instructions carefully before you start assembly.
- Keep this instruction sheet for future reference.

Technical Support: 1-855-855-8926

- 1.** Remove the fixture from its original packaging and remove the fixture mounting plate from within the hardware package.
- 2.** Attach the fixture to the mounting plate, which is attached to the electrical junction box on the ceiling. First attach all wiring (2a) with the provided marrets (white to white "N", black to black "L", ground to ground "G"). Once this is complete you can thread on the mounting plate (2b) to the box (2c).
- 3.** Anchor the fixture. Using the three holes in the fixture (4b), create registration marks on the ceiling. Turn canopy mounting plate away from registration marks and drill appropriate holes into ceiling. Now insert the plastic anchors (3a) into the ceiling. Turn the canopy back to align canopy holes to plastic anchors, secure with screws (3b). Once this is complete you can thread on the decorative nuts (3c) to the two studs (3d) until the fixture is secured to the ceiling.
- 4.** The next step is to install the glass cover (4a) onto the fixture. With one hand, push the semi-domed glass (4a) up against the underside of the fixture (4b) and tighten set screws (4c) equally until semi-domed glass is secure. Caution, do not use excessive force when tightening.
- 5.** You have now completed the installation of your fixture, enjoy.



KUZCO

19054 28th Avenue Surrey, BC Canada V3Z 6M3
T: 604 538 7162 TF: 1-855 85 KUZCO F: 604 538 7196
W: kuzcolighting.com
20181127