

# LED Linear Pendant

**LP18248**  
INSTALLATION SHEET

## START FROM HERE

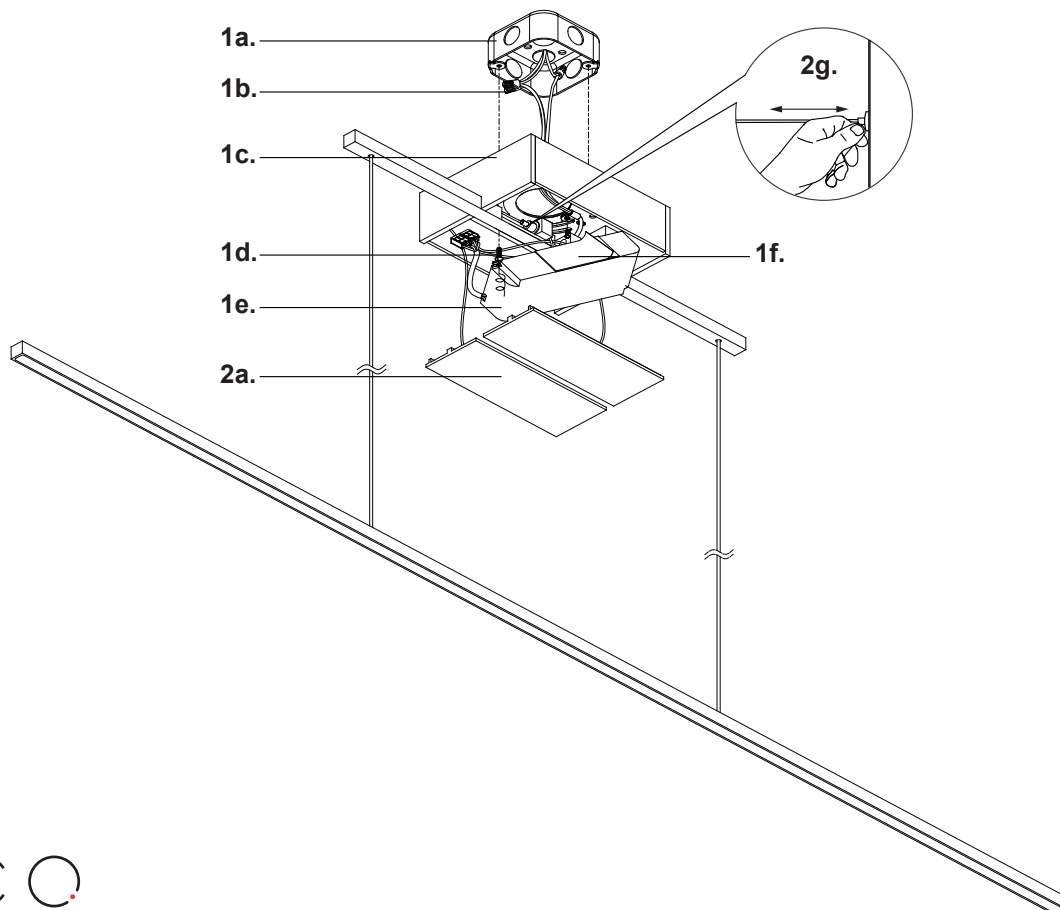
- Make sure power is completely off at the fuse box.
- Have your fixture installed by a qualified licensed electrician
- Prepare everything in a clear area.
- Wear gloves at all times during this installation.
- Read instructions carefully before you start assembly.
- Keep this instruction sheet for future reference.

**Technical Support:** 1-855-855-8926

### Please Note:

- For dimming, a TRIAC type of dimmer is required.

- 1.** Remove fixture from its original package
- 2.** Pull magnetic plate (2a) off bottom of canopy (1c) to gain access
- 3.** Attach canopy (1c) to electrical junction box (1a) using screws provided (1d) in hardware package
- 4.** To change fixture height, push and hold wire gripper (2g), slide wire to desired length and then release wire gripper (2g) to secure (Remove excess wire if necessary)
- 5.** Make proper electrical connections (black to hot "L", white to neutral "N", ground to "GND") with wire nuts (1b) provided in hardware package
- 6.** Remove tape (1f) off the driver and insert driver inside canopy (1c)
- 7.** Close canopy (1c) by re-attach magnetic plate (2a), make sure no electrical wires or support cables are in the way



**KUZCO**

19054 28th Avenue Surrey, BC Canada V3Z 6M3  
T: 604 538 7162 TF: 1-855 85 KUZCO F: 604 538 7196  
W: kuzcolighting.com  
20190814