

LED Linear Pendant

LP34448
INSTALLATION SHEET

START FROM HERE

- Make sure **POWER** is **COMPLETELY OFF** at the fuse box
- Have your fixture installed by a qualified licensed electrician
- Prepare everything in a clear area
- Wear gloves at all time during this installation
- Read instructions carefully before you start assembly
- Keep this installation sheet for future reference

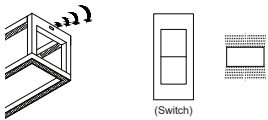
Technical Support: 1-855-855-8926

1. Remove the fixture from its original packaging. Next, remove the mounting plate (1d) from the canopy (2a) by un-threading the two screws (2b). Select the desired length you would like to hang down from the ceiling (120" maximum). To set the fixture hanging height, simply push in the cord grip (2c) at the canopy.
2. Attach the mounting plate (1d) to the junction box (1a) and secure to the ceiling with screws (1g). Make sure to reinforce the wood behind or install plastic anchors (1b) to the ceiling. Now install the two screws (1f) provided to secure the mounting plate to the junction box (1a).
3. You are now ready to mount the canopy. First connect all wires correctly black to black "L", white to white "N" and the ground wire with provided marrettes (1c) from the hardware package. Attach the canopy (2a) to the mounting plate (1d) and secure with screws (2b).

Settings:

If you wave a hand in range of 1-5" of fixture:

- STATE 1 - Switch on - all light On.



- STATE 2 - Wave first time - Only Down lights On.



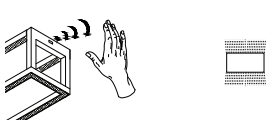
- STATE 3 - Wave second time - Only Up lights On.



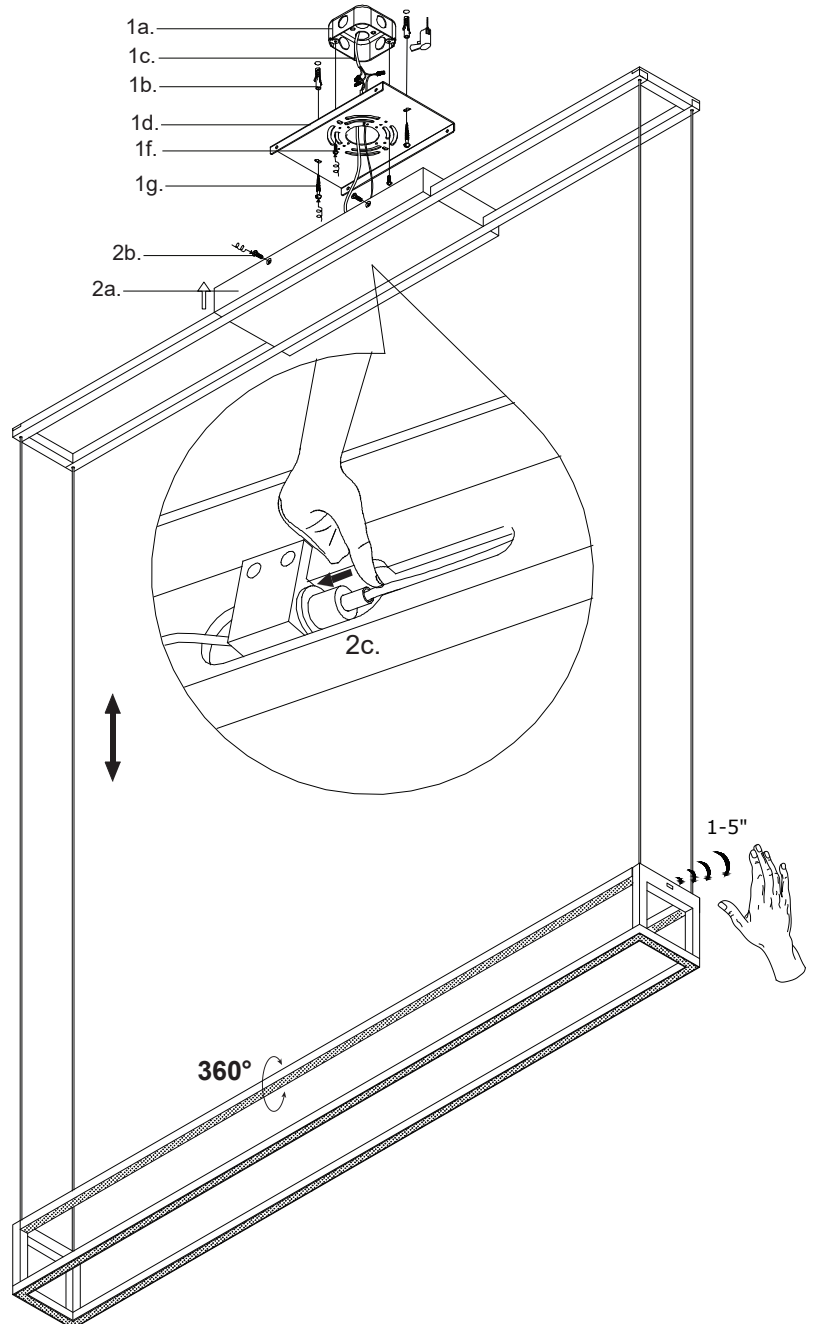
- STATE 4 - Wave third time - All lights off.



- STATE 5 - Wave fourth time - All lights On.



- Static hand in front of fixture will either dim up or dim down the lights in that state.



KUZCO

19054 28th Avenue Surrey, BC Canada V3Z 6M3
T: 604 538 7162 TF: 1-855 85 KUZCO F: 604 538 7196
W: kuzcolighting.com
20181127