

# LED Linear Pendant

**LP84434**  
INSTALLATION SHEET

## START FROM HERE

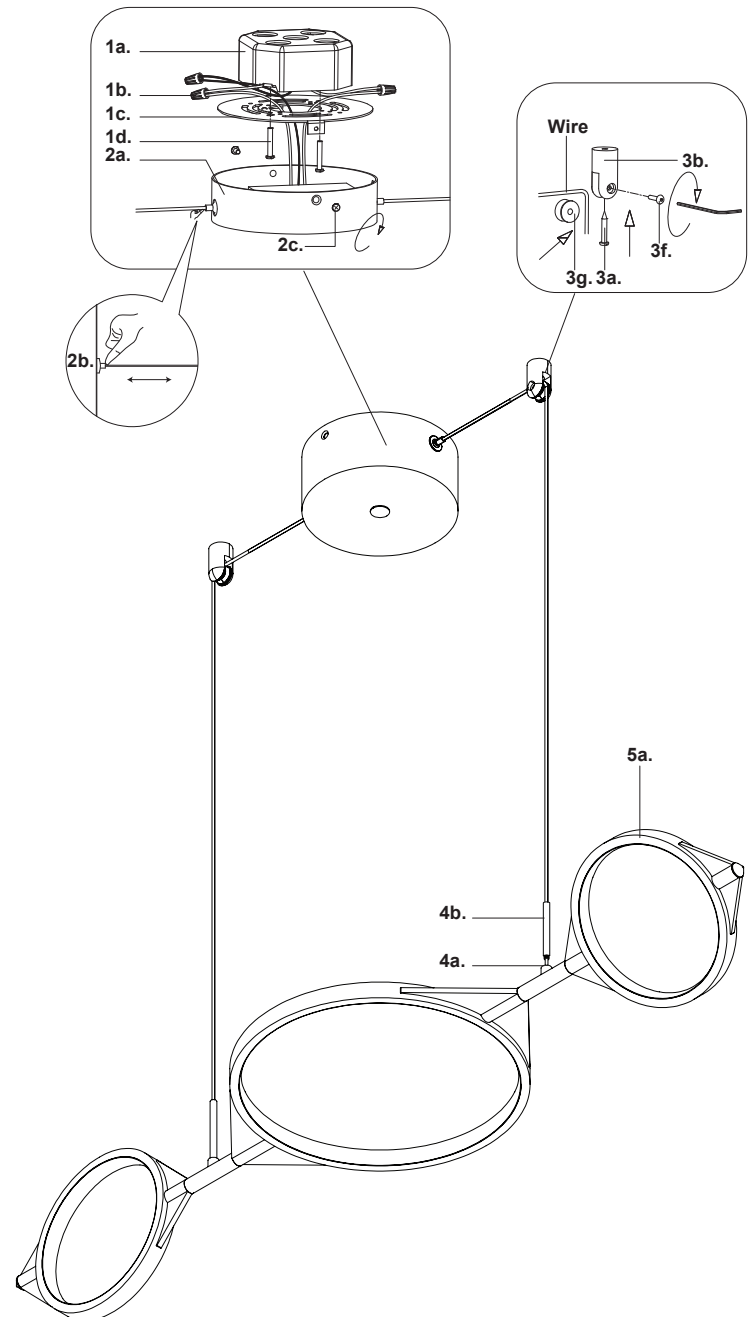
- Make sure power is completely off at the fuse box.
- Have your fixture installed by a qualified licensed electrician
- Prepare everything in a clear area.
- Wear gloves at all times during this installation.
- Read instructions carefully before you start assembly.
- Keep this instruction sheet for future reference.

**Technical Support:** 1-855-855-8926

## Please Note:

- This Kuzco LED fixture comes with pre-wired LED module(s).
- Unless instructed to do so, please do not touch any part of the LED module(s) as any unnecessary contact with the module could cause permanent damage.
- For dimming, an ELV (Electronic Low Voltage) or TRIAC type of dimmer is required.

- 1.** Remove the fixture from its original packaging
- 2.** Separate the mounting plate (1c) from the canopy (2a) by removing the screws (2c)
- 3.** Attach the mounting plate (1c) to the electrical junction box (1a) using the two screws (1d) provided in the hardware package
- 4.** Thread connector (4b) into fixture (4a) to secure
- 5.** Make proper electrical connections (black to hot "L", white to neutral "N", ground to "GND") with wire nuts (1b) provided in hardware package
- 6.** Attach canopy (2a) to mounting plate (1c) with screws (2c)
- 7.** Mark and install ceiling anchors (3b) with screw (3a), opening on ceiling anchor (3b) facing towards canopy (2a). Ideal distance between ceiling anchors (3b) is 14-5/8".
- 8.** Place wire onto pulley (3g), insert into ceiling anchor (3b) and secure with screw (3f) using Allen key
- 9.** Fine tune wire length if necessary, by push and hold wire gripper (2b) and then adjust wire to desired length
- 10.** Tilt heads (5a) to desired position



KUZCO

19054 28th Avenue Surrey, BC Canada V3Z 6M3  
T: 604 538 7162 TF: 1-855 85 KUZCO F: 604 538 7196  
W: kuzcolighting.com  
20210713

# LED Linear Pendant

**LP84434**  
INSTALLATION SHEET

## START FROM HERE

- Make sure power is completely off at the fuse box.
- Have your fixture installed by a qualified licensed electrician
- Prepare everything in a clear area.
- Wear gloves at all times during this installation.
- Read instructions carefully before you start assembly.
- Keep this instruction sheet for future reference.

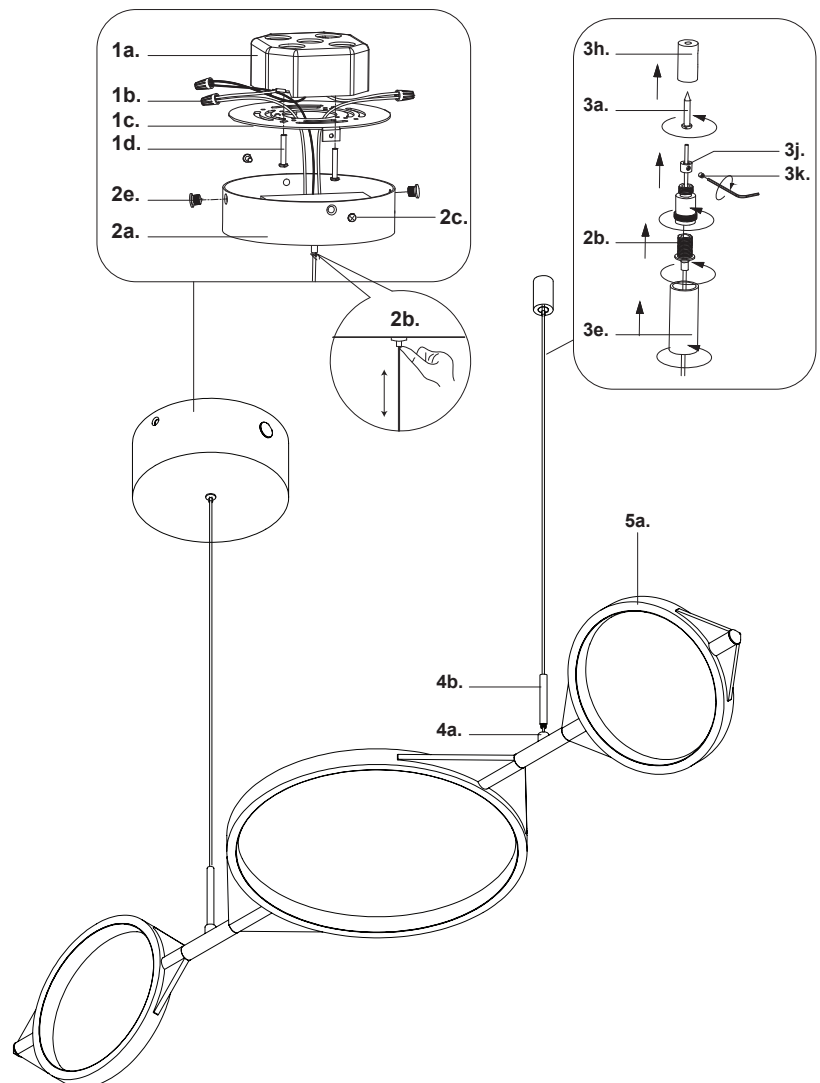
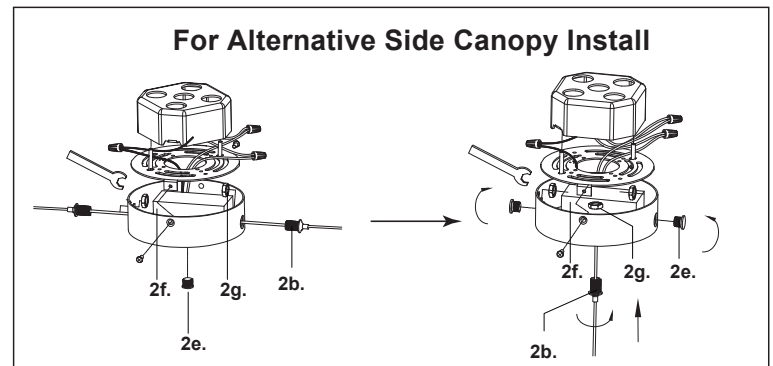
**Technical Support:** 1-855-855-8926

## Please Note:

- This Kuzco LED fixture comes with pre-wired LED module(s).
- Unless instructed to do so, please do not touch any part of the LED module(s) as any unnecessary contact with the module could cause permanent damage.
- For dimming, an ELV (Electronic Low Voltage) or TRIAC type of dimmer is required.

## FOR ALTERNATIVE SIDE CANOPY INSTALL

- 1.** Disconnect output wires on driver (2f)
- 2.** Move wire gripper (2b) to bottom of the canopy, secure with nut (2g), and close holes on side of canopy with plugs (2e)
- 3.** Thread connector (4b) into fixture (4a) to secure
- 4.** Reconnect driver positive wire to center core of hanging cable, and negative to meshed conductor
- 5.** Attach canopy (2a) to mounting plate (1c) with screws (2c). Position desired amount of wire by pushing gripper (2b) on canopy
- 6.** Mark and install ceiling gripper barrel (3h) with screw (3a). Measure and position desired wire length of non-conductive wire in gripper (2b), and then thread into ceiling gripper barrel after securing wire end post (3j) with set screw (3k) using Allen key, cut off excess wire and then close with decorative barrel (3e)
- 7.** Fine tune wire length if necessary, by push and hold wire gripper (2b) and then adjust wire to desired length
- 8.** Tilt heads (5a) to desired position



**KUZCO**

19054 28th Avenue Surrey, BC Canada V3Z 6M3  
T: 604 538 7162 TF: 1-855 85 KUZCO F: 604 538 7196  
W: kuzcolighting.com  
20210713