

LED Linear Pendant

LP90727
INSTALLATION SHEET

START FROM HERE

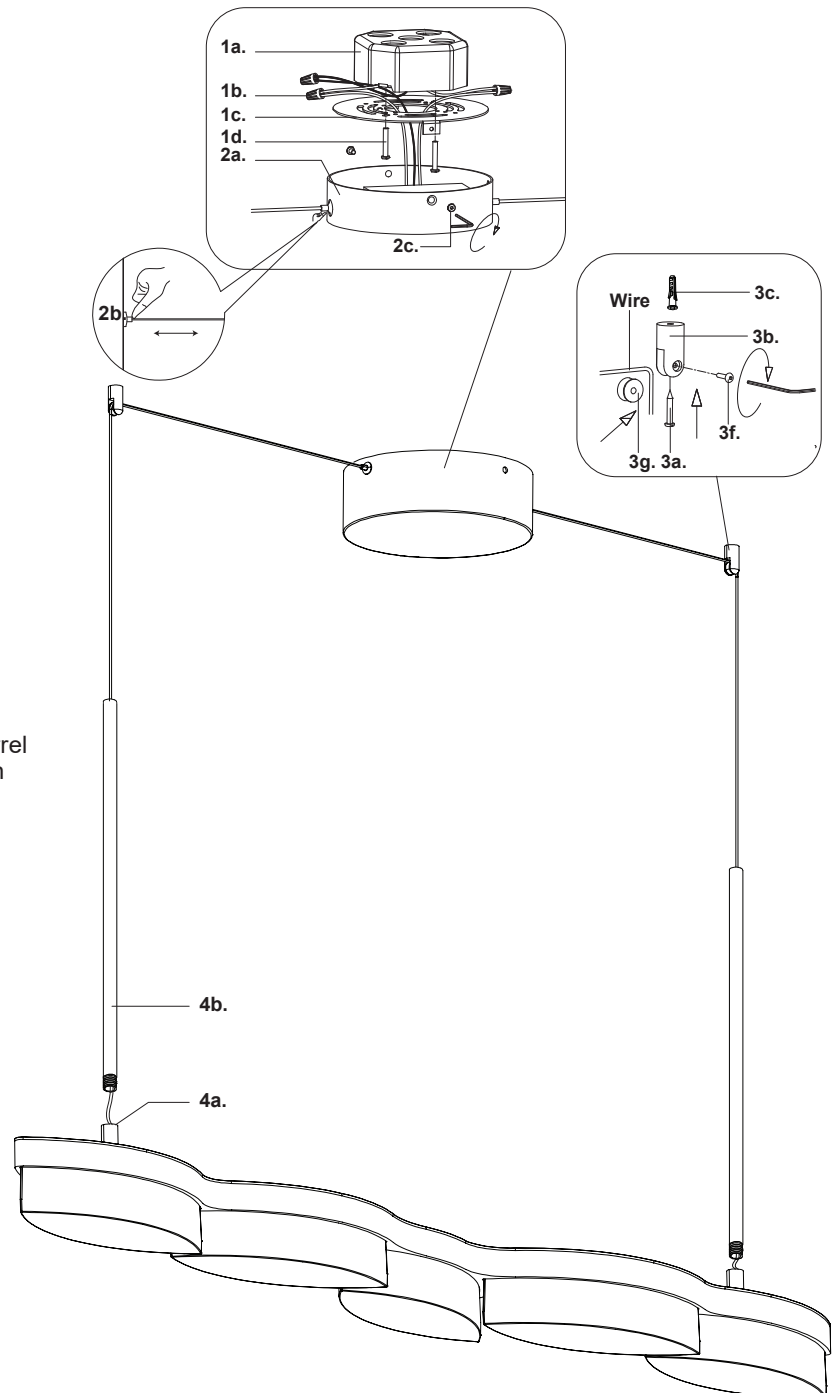
- Make sure power is completely off at the fuse box.
- Have your fixture installed by a qualified licensed electrician
- Prepare everything in a clear area.
- Wear gloves at all times during this installation.
- Read instructions carefully before you start assembly.
- Keep this instruction sheet for future reference.

Technical Support: 1-855-855-8926

Please Note:

- This Kuzco LED fixture comes with pre-wired LED module(s).
- Unless instructed to do so, please do not touch any part of the LED module(s) as any unnecessary contact with the module could cause permanent damage.
- For dimming, an ELV (Electronic Low Voltage) or TRIAC type of dimmer is required.
- 120V input

- 1.** Remove the fixture from its original packaging
- 2.** Separate the mounting plate (1c) from the canopy (2a) by removing the screws (2c) with allen key provided
- 3.** Attach the mounting plate (1c) to the electrical junction box (1a) using the two screws (1d) provided in the hardware package
- 4.** Thread connector (4b) into fixture (4a) to secure
- 5.** Make proper electrical connections (black to hot "L", white to neutral "N", ground to "GND") with wire nuts (1b) provided in hardware package
- 6.** Attach canopy (2a) to mounting plate (1c) with screws (2c) and allen key provided
- 7.** Mark and install aircraft barrel (3b) with screw (3a) and plastic anchor (3c) to the ceiling, opening on aircraft barrel (3b) facing towards canopy (2a). Ideal distance between ceiling anchors (3b) is 20-7/8"
- 8.** Place wire onto pulley (3g), insert into ceiling anchor (3b) and secure with screw (3f) using Allen key
- 9.** Fine tune wire length if necessary, by push and hold wire gripper (2b) and then adjust wire to desired length



KUZCO

19054 28th Avenue Surrey, BC Canada V3Z 6M3
T: 604 538 7162 TF: 1-855 85 KUZCO F: 604 538 7196
W: kuzcolighting.com
20210401

LED Linear Pendant

LP90727
INSTALLATION SHEET

START FROM HERE

- Make sure power is completely off at the fuse box.
- Have your fixture installed by a qualified licensed electrician
- Prepare everything in a clear area.
- Wear gloves at all times during this installation.
- Read instructions carefully before you start assembly.
- Keep this instruction sheet for future reference.

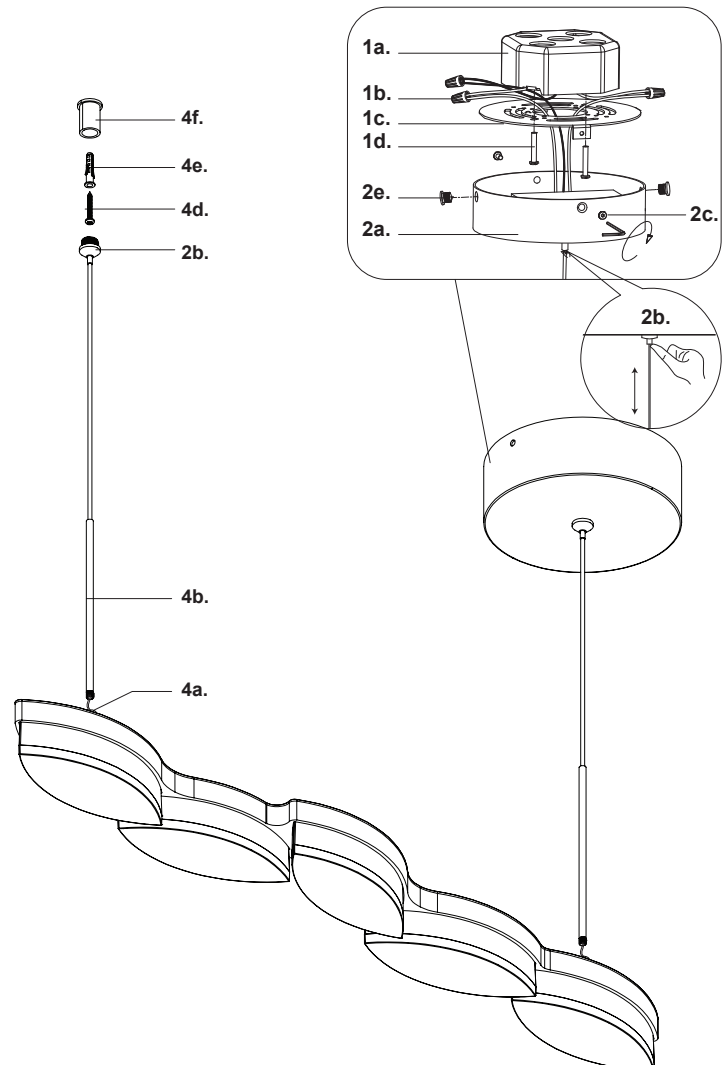
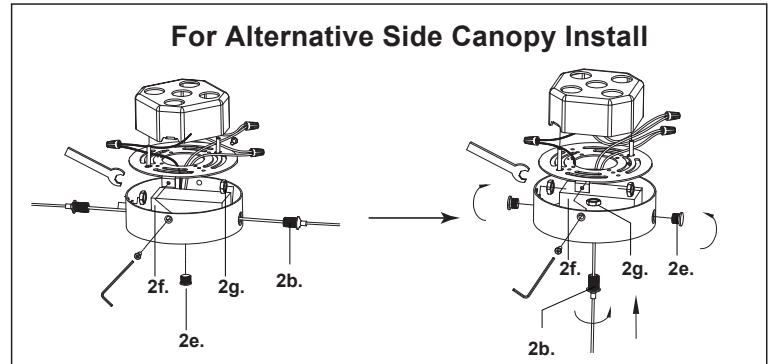
Technical Support: 1-855-855-8926

Please Note:

- This Kuzco LED fixture comes with pre-wired LED module(s).
- Unless instructed to do so, please do not touch any part of the LED module(s) as any unnecessary contact with the module could cause permanent damage.
- For dimming, an ELV (Electronic Low Voltage) or TRIAC type of dimmer is required.
- 120V input

FOR ALTERNATIVE SIDE CANOPY INSTALL

- 1.** Disconnect output wires on driver (2f)
- 2.** Move wire gripper (2b) to bottom of the canopy, secure with nut (2g), and close holes on side of canopy with plugs (2e)
- 3.** Thread connector (4b) into fixture (4a) to secure
- 4.** Reconnect driver positive wire to center core of hanging cable, and negative to meshed conductor
- 5.** Attach canopy (2a) to mounting plate (1c) with screws (2c) and allen key provided. Position desired amount of wire by pushing gripper (2b) on canopy
- 6.** Add plastic anchors (4e) to the ceiling and wood backing and secure aircraft cable barrels (4f) to it with screws (4d) and close with wire gripper (2b)
- 7.** Fine tune wire length if necessary, by push and hold wire gripper (2b) and then adjust wire to desired length



KUZCO

19054 28th Avenue Surrey, BC Canada V3Z 6M3
T: 604 538 7162 TF: 1-855 85 KUZCO F: 604 538 7196
W: kuzcolighting.com
20210401