

# LED Linear Pendant

# LP95354

INSTALLATION SHEET

## START FROM HERE

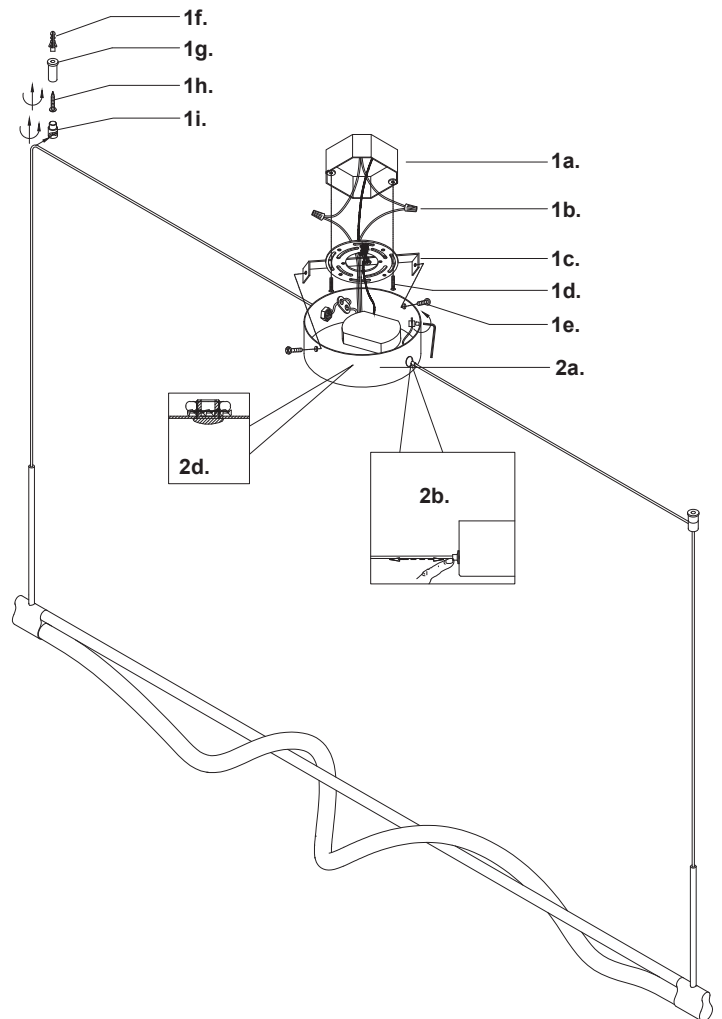
- Make sure power is completely off at the fuse box.
- Have your fixture installed by a qualified licensed electrician
- Prepare everything in a clear area.
- Wear gloves at all times during this installation.
- Read instructions carefully before you start assembly.
- Keep this instruction sheet for future reference.

**Technical Support:** 1-855-855-8926

## Please Note:

- All Kuzco LED fixture comes with pre-wired LED module(s).
- Unless instructed to do so, please do not touch any part of the LED module(s) as any unnecessary contact with the module could cause permanent damage.
- For dimming, an ELV (Electronic Low Voltage) or TRIAC type of dimmer is required.

- 1.** Remove fixture from its original package
- 2.** Remove mounting plate **(1c)** from canopy **(2a)**
- 3.** Attach mounting plate **(1c)** to electrical junction box **(1a)** using screws provided **(1d)** in hardware package
- 4.** Make proper electrical connections (black to hot "l", white to neutral "n", ground to "gnd") with wire nuts **(1b)** provided in hardware package
- 5.** Attach canopy **(2a)** to mounting plate **(1c)** with canopy screws **(1e)**
- 6.** Locate and install ceiling anchor **(1i)** using expansion bolt **(1h)** supplied. Secure ceiling anchor **(1i)** to mounting surface with anchors **(1g)** and screws **(1f)**. Adjust wire length from canopy to anchor and fixture hanging height, by pressing wire grippers **(2b)** on side of canopy



# KUZCO

19054 28th Avenue Surrey, BC Canada V3Z 6M3  
T: 604 538 7162 TF: 1-855 85 KUZCO F: 604 538 7196  
W: kuzcolighting.com  
20200428

# LED Linear Pendant

# LP95354

INSTALLATION SHEET

## START FROM HERE

- Make sure power is completely off at the fuse box.
- Have your fixture installed by a qualified licensed electrician
- Prepare everything in a clear area.
- Wear gloves at all times during this installation.
- Read instructions carefully before you start assembly.
- Keep this instruction sheet for future reference.

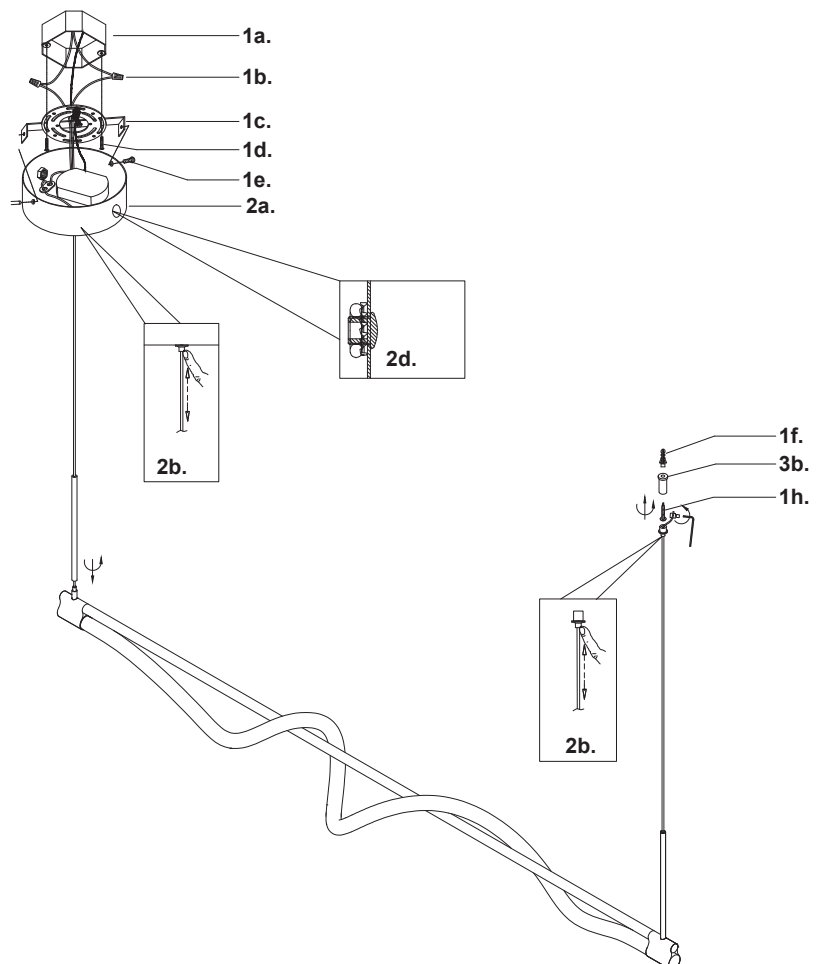
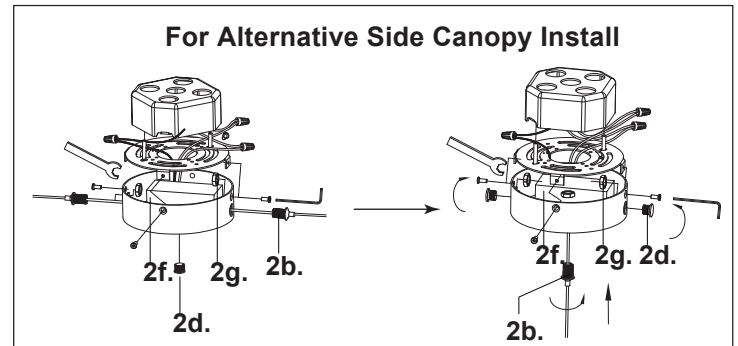
Technical Support: 1-855-855-8926

## Please Note:

- All Kuzco LED fixture comes with pre-wired LED module(s).
- Unless instructed to do so, please do not touch any part of the LED module(s) as any unnecessary contact with the module could cause permanent damage.
- For dimming, an ELV (Electronic Low Voltage) or TRIAC type of dimmer is required.

## For alternative side canopy install

- 1.** Disconnect output wires on driver (2f)
- 2.** Move wire gripper (2b) to bottom of the canopy, secure with nut (2g), and close holes on side of canopy with plugs (2d)
- 3.** Reconnect driver positive wire to center core of hanging cable, and negative to meshed conductor
- 4.** Ceiling anchor with gripper (2b) with non-conductive cable mount to ceiling with expansion bolt (1h), cover holes on canopy with decorative plug (2d).



# KUZCO

19054 28th Avenue Surrey, BC Canada V3Z 6M3  
T: 604 538 7162 TF: 1-855 85 KUZCO F: 604 538 7196  
W: kuzcolighting.com  
20200428