

LED Multi-Pendant

MP28356

INSTALLATION SHEET

START FROM HERE

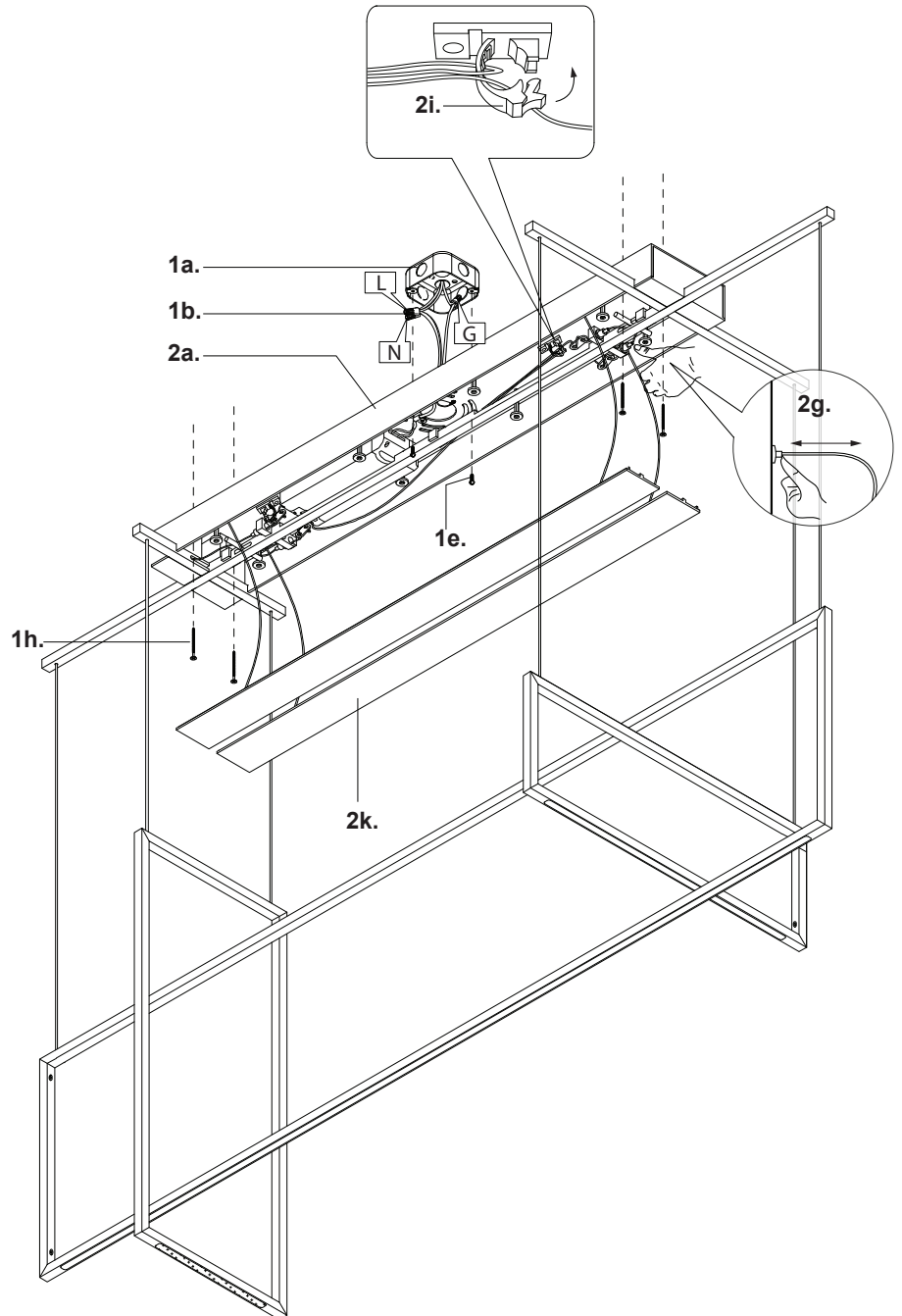
- Make sure power is completely off at the fuse box.
- Have your fixture installed by a qualified licensed electrician
- Prepare everything in a clear area.
- Wear gloves at all times during this installation.
- Read instructions carefully before you start assembly.
- Keep this instruction sheet for future reference.

Technical Support: 1-855-855-8926

Please Note:

- This Kuzco LED fixtures come with pre-wired LED module(s)
- Unless instructed, Do Not touch any part of the LED module(s) as any unnecessary contact with the module could cause permanent damage
- Use ELV (Electronic Low Voltage) type of dimmer for dimming application
- 120-277V input

- 1.** Remove fixture from its original package
- 2.** Pull magnetic plate (**2k**) off bottom of canopy (**2a**) to gain access
- 3.** Attach canopy (**2a**) to electrical junction box (**1a**) using screws provided (**1e**) in hardware package and then secure canopy (**2a**) to mounting surface with additional screws (**1h**)
- 4.** To change fixture height, push and hold wire gripper (**2g**), slide wire to desired length and then release wire gripper (**2g**) to secure (Remove excess wire if necessary)
- 5.** Make proper electrical connections (black to hot "L", white to neutral "N", ground to "GND") with wire nuts (**1b**) provided in hardware package
- 6.** Fine tune wire length if necessary, by push and hold wire gripper (**2g**) and then adjust wire to desired length
- 7.** Loosely wrap extra wires around wire clips (**2i**) and close to secure
- 8.** Close canopy (**2a**) by re-attach magnetic plate (**2k**), make sure no electrical wires or support cables are in the way



KUZCO

19054 28th Avenue Surrey, BC Canada V3Z 6M3
T: 604 538 7162 TF: 1-855 85 KUZCO F: 604 538 7196
W: kuzcolighting.com
20210628