

# LED Pendant

**PD22772**  
INSTALLATION SHEET

## START FROM HERE

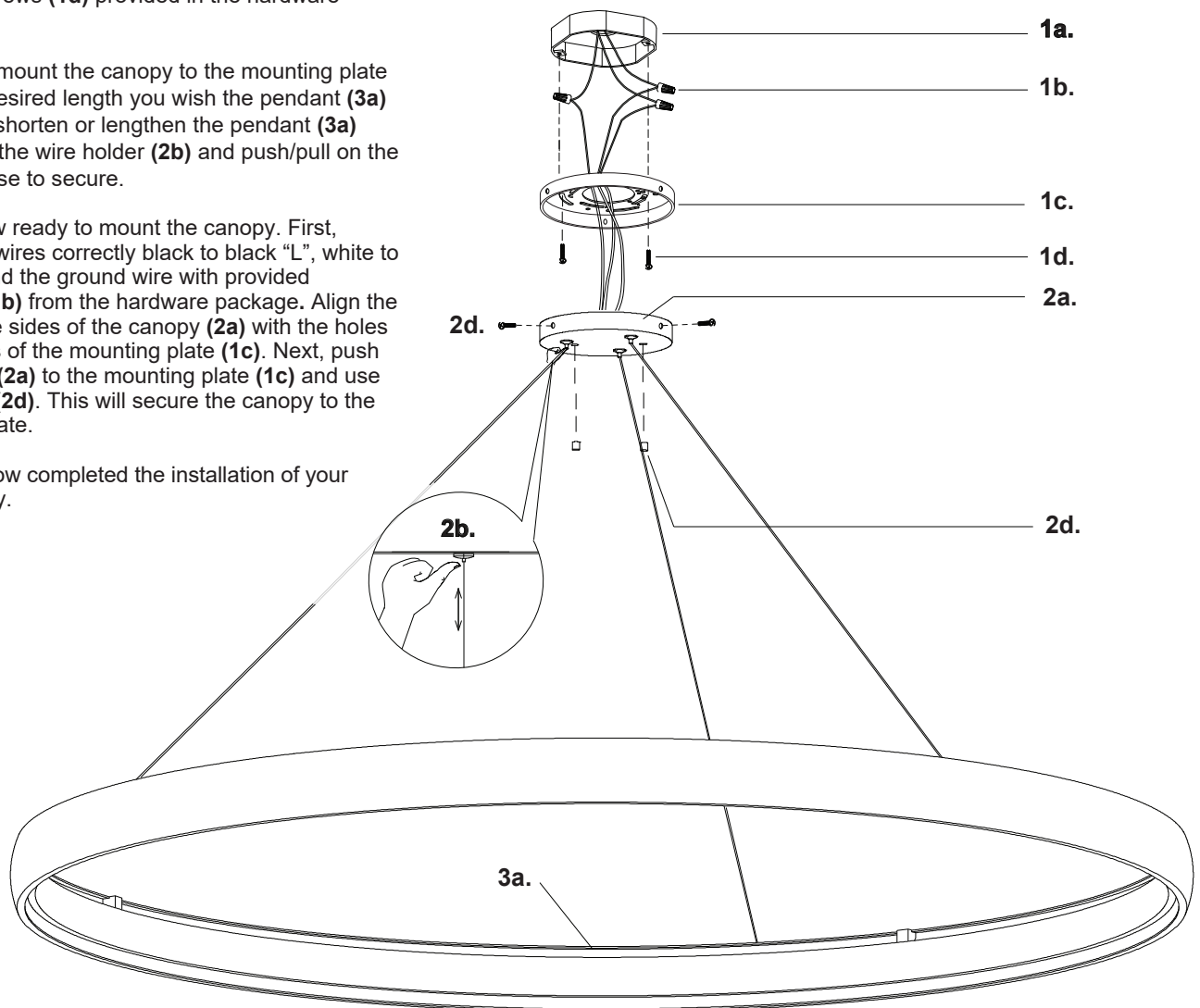
- Make sure **POWER** is **COMPLETELY OFF** at the fuse box
- Have your fixture installed by a qualified licensed electrician
- Prepare everything in a clear area
- Wear gloves at all time during this installation
- Read instructions carefully before you start assembly
- Keep this installation sheet for future reference

### Please Note:

- All Kuzco LED fixtures come with pre-wired LED module(s).
- For dimming, an ELV (Electronic Low Voltage) or a TRIAC type of dimmer, UL listed or equivalent is required.

**Technical Support:** 1-855-855-8926

- 1.** Remove the fixture from its original packaging. Next, remove the mounting plate **(1c)** from within the canopy **(2a)** by un-threading the two screws **(2d)**. Secure the mounting plate **(1c)** to the junction box **(1a)** with screws **(1d)** provided in the hardware package.
- 2.** Before you mount the canopy to the mounting plate select the desired length you wish the pendant **(3a)** to hang. To shorten or lengthen the pendant **(3a)** push up on the wire holder **(2b)** and push/pull on the cable, release to secure.
- 3.** You are now ready to mount the canopy. First, connect all wires correctly black to black "L", white to white "N" and the ground wire with provided marrettes **(1b)** from the hardware package. Align the holes on the sides of the canopy **(2a)** with the holes on the sides of the mounting plate **(1c)**. Next, push the canopy **(2a)** to the mounting plate **(1c)** and use the screws **(2d)**. This will secure the canopy to the mounting plate.
- 4.** You have now completed the installation of your fixture, enjoy.



### Parts Listing for Hardware Kit

No.	Description	QTY
1.	Round Head Screw 8-32x1"	2
2.	Marrette	3

**Fixture Weight: 19 lb**

**KUZCO**

19054 28th Avenue Surrey, BC Canada V3Z 6M3  
T: 604 538 7162 TF: 1-855 85 KUZCO F: 604 538 7196  
W: kuzcolighting.com  
20181127