

LED Table Lamp

TL46724
INSTALLATION SHEET

START FROM HERE

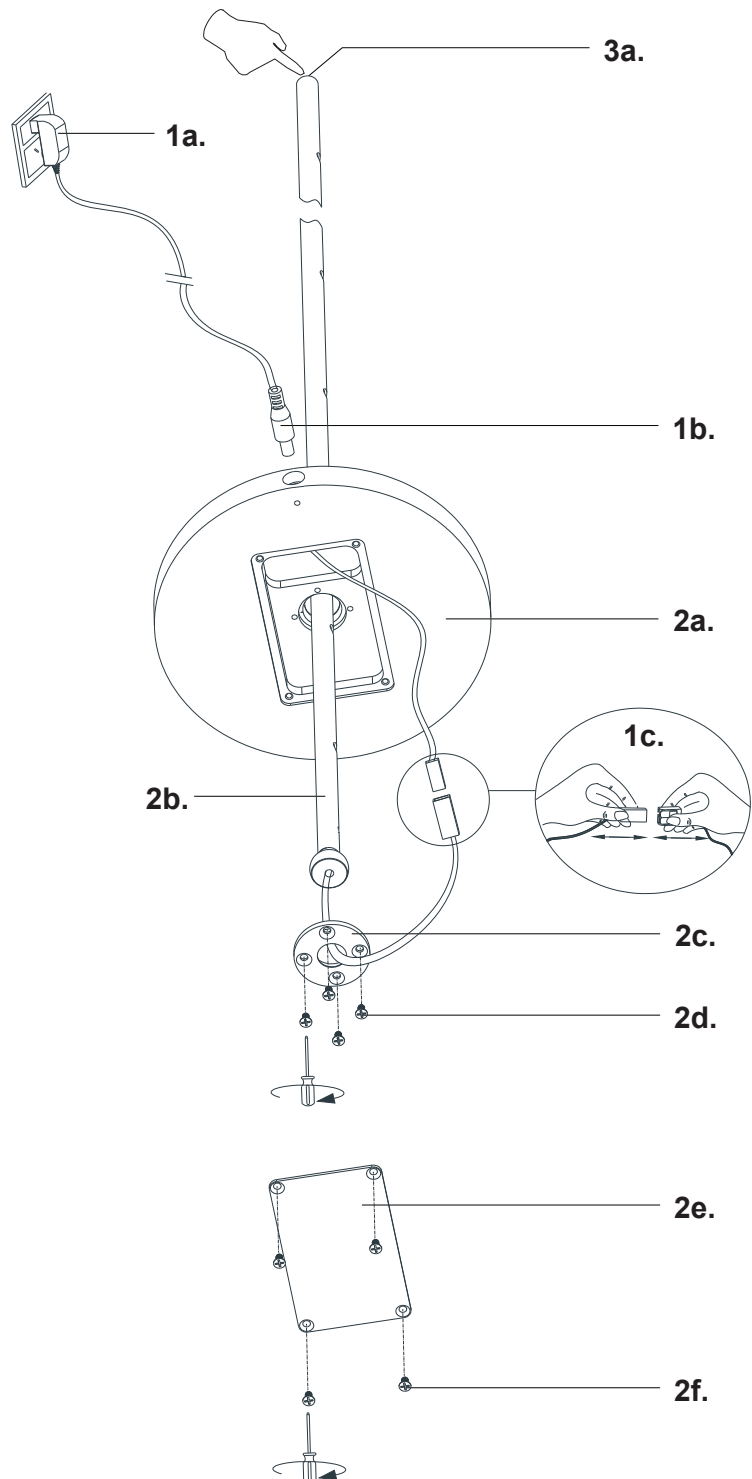
- Prepare everything in a clear area
- Wear gloves at all time during this installation
- Read instructions carefully before you start assembly
- Keep this installation sheet for future reference

Please Note:

- This Kuzco LED fixtures come with pre-wired LED module(s)
- Unless instructed, Do Not touch any part of the LED module(s) as any unnecessary contact with the module could cause permanent damage
- Touch Dimmer

Technical Support: 1-855-855-8926

- 1.** Remove the fixture from it's original packaging
- 2.** Separate base cover (2e) from base (2a) by removing screws (2f) with screw driver
- 3.** Insert rod (2b) through hole on base (2a). Pull wire from rod (2b) through base plate (2c) and secure the base plate (2c) to the base with screws (2d). Connect wires together (1c)
- 4.** Cover base (2a) with base cover (2e) and secure with screws (2f) and screw driver
- 5.** Insert driver connector (1b) to base (2a)
- 6.** Plug driver (1a) into outlet
- 7.** To activate dimmer, push button (3a) to hold to dim up and down



KUZCO

19054 28th Avenue Surrey, BC Canada V3Z 6M3
T: 604 538 7162 TF: 1-855 85 KUZCO F: 604 538 7196
W: kuzcolighting.com
20200730