

LED Lamp Wall Sconce

WS10918
INSTALLATION SHEET

START FROM HERE

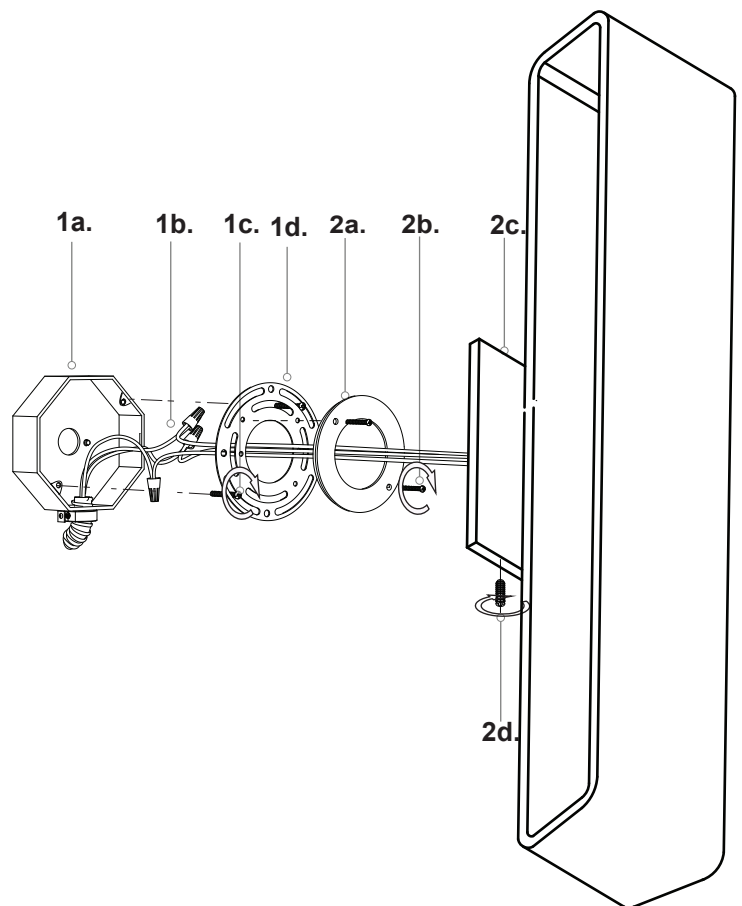
- Make sure **POWER** is **COMPLETELY OFF** at the fuse box
- Have your fixture installed by a qualified licensed electrician
- Prepare everything in a clear area
- Wear gloves at all time during this installation
- Read instructions carefully before you start assembly
- Keep this installation sheet for future reference

Technical Support: 1-855-855-8926

Please Note:

- All Kuzco LED fixtures come with pre-wired LED module(s).
- Unless instructed to do so, please do not touch any part of the LED module(s) as any unnecessary contact with the module could cause permanent damage.
- For dimming, an ELV (Electronic Low Voltage) type of dimmer is required.

- 1.** Remove the fixture from its original packaging. Remove the mounting plate **(1d)** and anchor plate **(2a)** from within the canopy **(2c)** and attach the mounting plate **(1d)** to the electrical junction box **(1a)**, using the two screws **(1c)** provided in the hardware package.
- 2.** Attach the anchor plate **(2a)** to the mounting plate **(1d)**, which is attached to the electrical junction box **(1a)** on the wall. First attach all wiring **(1b)** with the provided marrets (white to white "N", black to black "L", ground to ground "G"). Now connect the anchor plate **(2a)** to the mounting plate **(1d)** using the screws **(2b)** provided. Be sure to thread the screws through the threaded holes in the mounting plate.
Now push the canopy backplate **(2c)** onto the anchor plate **(2a)**. Using the set screws **(2d)** thread the canopy backplate to the anchor plate turning clockwise until secure.
- 3.** You have now completed the installation of your fixture, please enjoy.



KUZCO

19054 28th Avenue Surrey, BC Canada V3Z 6M3
T: 604 538 7162 TF: 1-855 85 KUZCO F: 604 538 7196
W: kuzcolighting.com
20181127