

LED Lamp Wall Sconce

WS53322
INSTALLATION SHEET

START FROM HERE

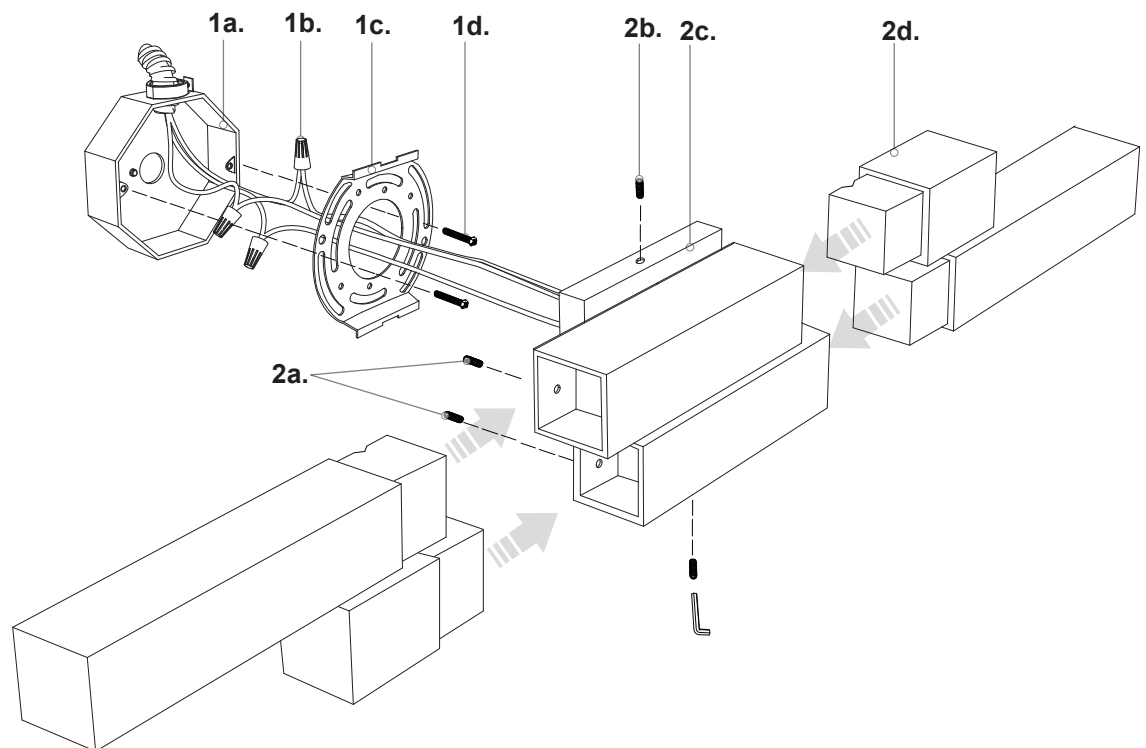
- Make sure **POWER** is **COMPLETELY OFF** at the fuse box
- Have your fixture installed by a qualified licensed electrician
- Prepare everything in a clear area
- Wear gloves at all time during this installation
- Read instructions carefully before you start assembly
- Keep this installation sheet for future reference

Please Note:

- All Kuzco LED fixtures come with pre-wired LED module(s).
- Unless instructed to do so, please do not touch any part of the LED module(s) as any unnecessary contact with the module could cause permanent damage.
- For dimming, an ELV (Electronic Low Voltage) type of dimmer is required.

Technical Support: 1-855-855-8926

- 1.** Remove the fixture from its original packaging. Remove the mounting plate (**1c**) from within the canopy (**2c**) by unscrewing the two set screws (**2b**). Attach the mounting plate to the electrical junction box (**1a**), using the two screws (**1d**) provided in the hardware package.
- 2.** Before you mount the canopy, install the four acrylic glass (**2d**) accordingly by using the four set screws (**2a**) provided.
- 3.** You can now attach the canopy to the mounting plate. First attach all wiring with the provided marrets (**1b**) (white to white "N", black to black "L", ground to ground "G"). Now push the canopy (**2c**) towards the mounting plate (**1c**) and use the two set screws (top and bottom) (**2b**) to secure the canopy to the mounting plate.
- 4.** You have now completed the installation of your fixture, please enjoy.



KUZCO

19054 28th Avenue Surrey, BC Canada V3Z 6M3
T: 604 538 7162 TF: 1-855 85 KUZCO F: 604 538 7196
W: kuzcolighting.com
20181127