

LED Linear Pendant

LP19937-BB

INSTALLATION SHEET

START FROM HERE

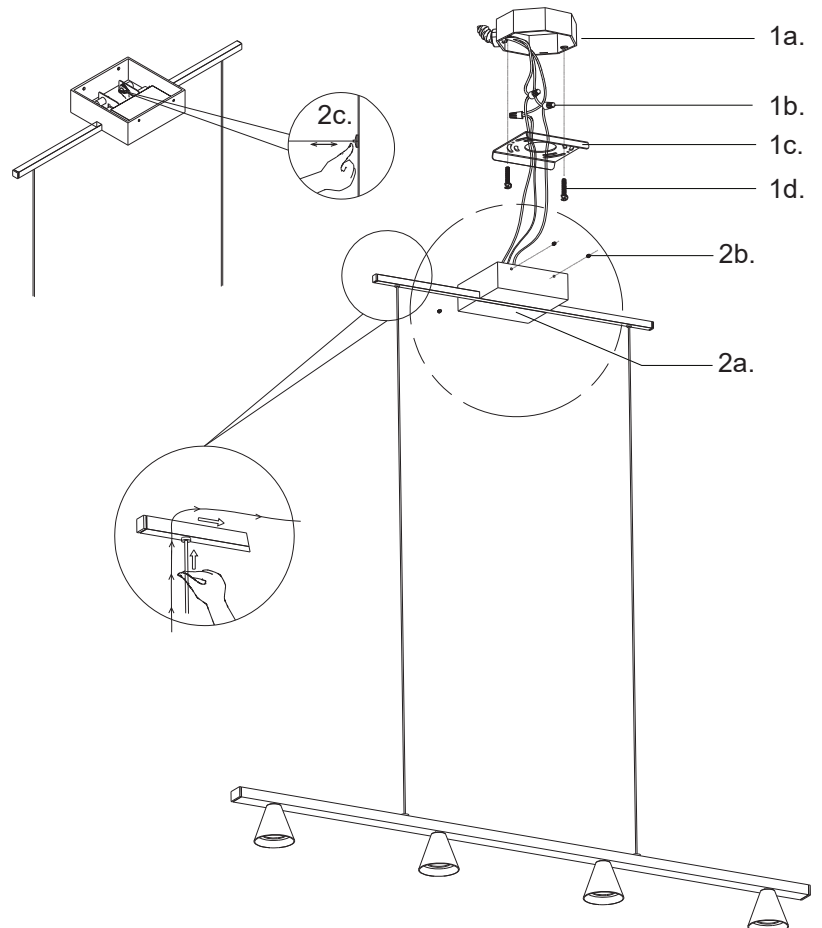
- Make sure power is completely off at the fuse box.
- Have your fixture installed by a qualified licensed electrician
- Prepare everything in a clear area.
- Wear gloves at all times during this installation.
- Read instructions carefully before you start assembly.
- Keep this instruction sheet for future reference.

Technical Support: 1-855-855-8926

Please Note:

- This Kuzco LED fixture comes with pre-wired LED module(s)
- Unless instructed, Do Not touch any part of the LED module(s) as any unnecessary contact with the module could cause permanent damage
- For dimming, a TRIAC or an ELV type of dimmer is required
- **Brushed brass finish only**

- 1.** Remove the fixture from its original packaging. Remove the mounting plate (1c) from the canopy (2a) by removing the screws (2b). Select the desired length you would like the fixture to hang down from the ceiling (120" maximum). Push up the wire until it meets your desired length, press the cord grip (2c), pull the extra wire to go through the cord grip, release the cord grip to lock the wire. Hide the extra wire in the canopy and junction box. Press the cord grip to adjust the wire if needed. Attach the mounting plate (1c) to the electrical junction box (1a) using the two screws (1d) provided in the hardware package.
- 2.** Connect all wiring with the provided marrettes (1b) (white to white "N", black to black "L", ground to ground "G"). Attach the canopy (2a) to the mounting plate (1c) and secure with screws (2b).
- 3.** You have now completed the installation of your fixture, enjoy.



KUZCO

19054 28th Avenue Surrey, BC Canada V3Z 6M3
T: 604 538 7162 TF: 1-855 85 KUZCO F: 604 538 7196
W: kuzcolighting.com
20190102