

Incandescent Table Lamp

TL58814
INSTALLATION SHEET

START FROM HERE

- Prepare everything in a clear area.
- Wear gloves at all times during this installation.
- Read instructions carefully before you start assembly.
- Keep this instruction sheet for future reference.

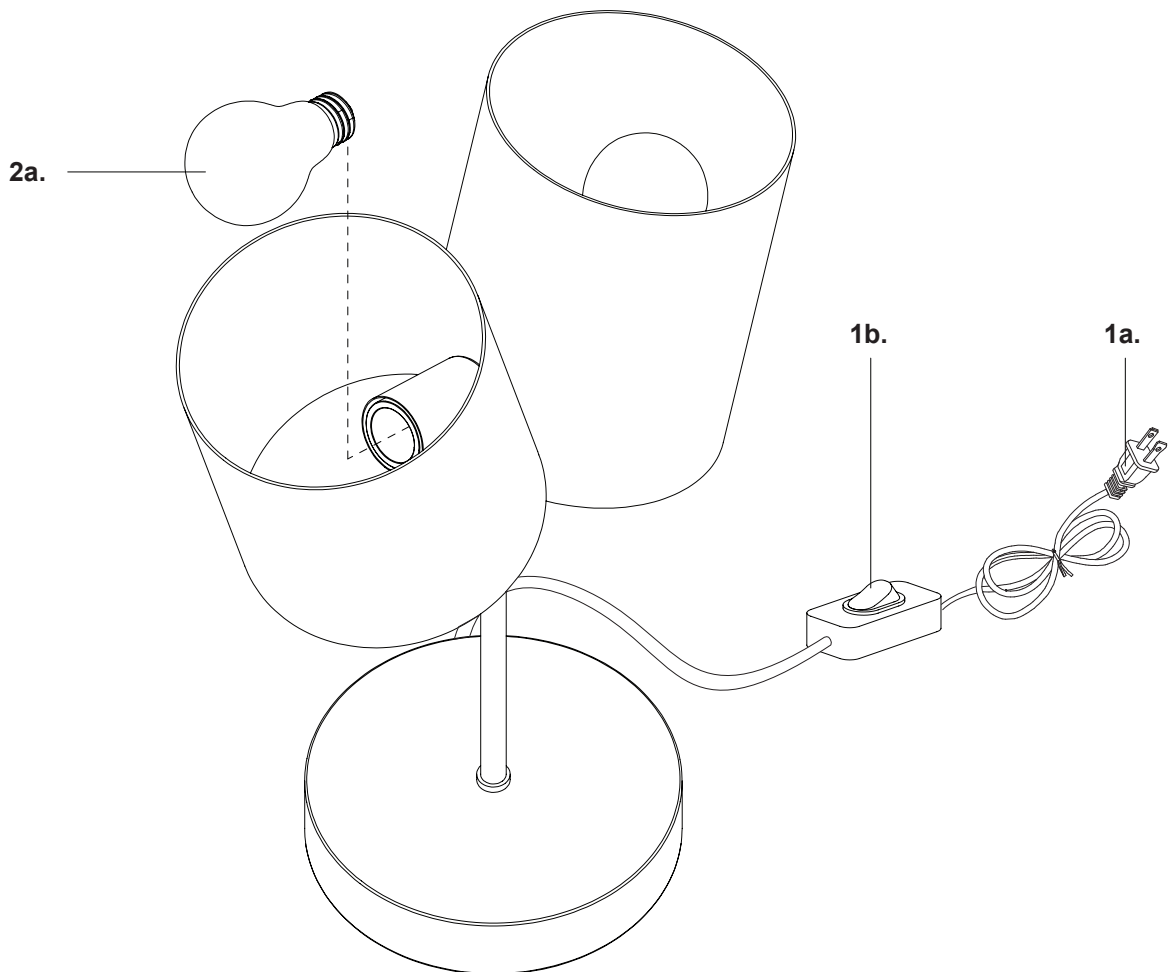
Please Note:

- 120V input

CAUTION: TO PREVENT ELECTRIC SHOCK, MATCH WIDE BLADE OF PLUG TO WIDE SLOT/ POUR EVITER LES CHOCS ELECTRIQUES, INTRODUIRE LA LAME LA PLUS LARGE DE LA FICHE DANS LA FENTE LA PLUS LARGE

Technical Support: 1-855-855-8926

- 1.** Remove the fixture from it's original packaging
- 2.** Insert bulb (2a) into fixture socket
- 3.** Insert plug (1a) into outlet
- 4.** Use rocker switch (1b) to turn ON/OFF



KUZCO

19054 28th Avenue Surrey, BC Canada V3Z 6M3
T: 604 538 7162 TF: 1-855 85 KUZCO F: 604 538 7196
W: kuzcolighting.com
20240109